

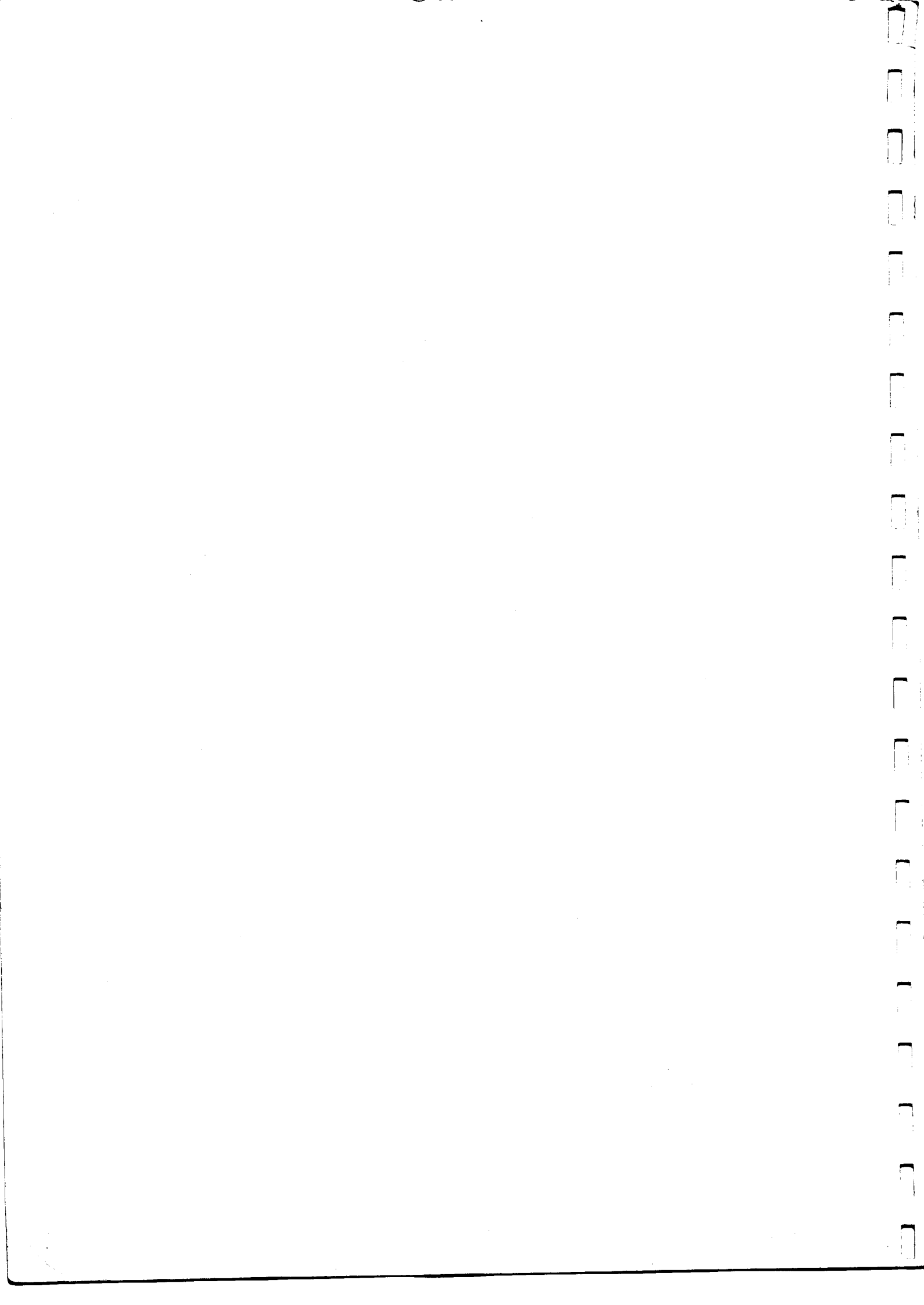
CARGO FLOOR[®]



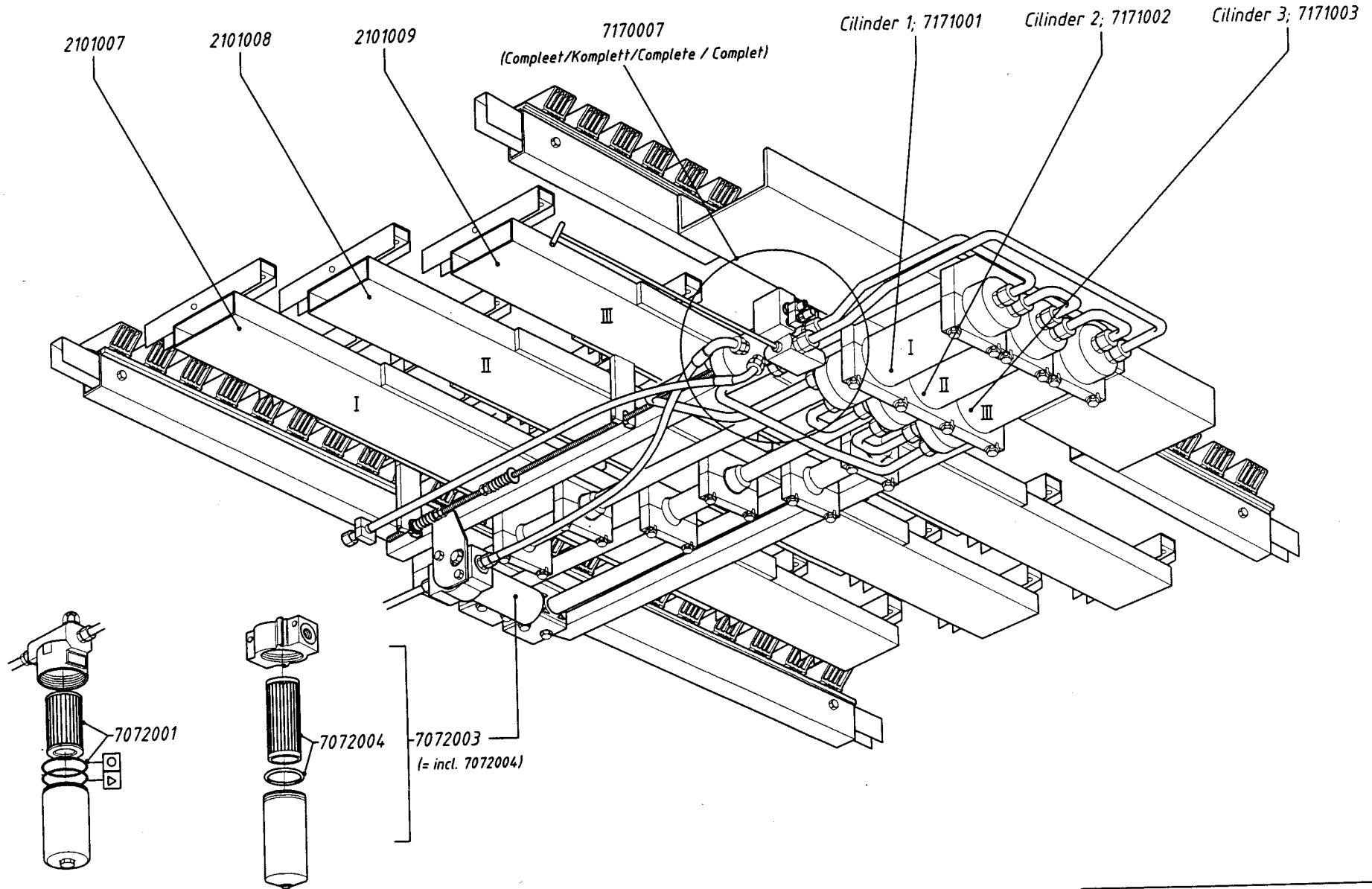
**Exploded
views
2002**



ISO 9001 - 2000
Certified company



Pagina	Inhoudsopgave	Table of contents	Inhaltsverzeichnis	Index
Page				
Seite				
Page	BENAMING	DESCRIPTION	BENENNUNG	DESIGNATION
1	CF300 Systeem	CF300 System	CF300 System	System CF300
2	Samenstelling	Composition	Zusammenbau	Kit hydraulique
3	Combinatie ventiel	Combination valve	Kombinationsventil	Bloc distributeur
4	Afschakelventiel	Circulation valve	Abschaltventil	Bloc d' alimentation
5	Bedieningsschuif	Operation valve	Bedienungsventil	Bloc de commande
6	Cilinder	Cylinder	Zylinder	Vérin
7	Aluminium profielen	Aluminium profiles	Aluminium profilen	Aluminium planche
8	Afdichtingen en loopkatten	Seals and rolls	Dichtungen und Rollen	Kir
9	Schakelaars	Switches	Schalters	Button
10	Bedieningen	Operations	Bedienungen	Commande
11	Kunst. Geleidingskammen	Plastic bearing blocks strip	Kunst. Gleitkammen	Patin Plastique
12	Geleider "Cargo Twister"	Plastic bearing block "Cargo Twister"	Kunststoff Gleitlager "Cargo Twister"	Patin "Cargo Twister"



CF300-21-112 'wide-body'



Cargo Floor B.V.
 Byte 14
 NL-7741 MK Coevorden
 P.O. Box 271
 NL-7740 AG Coevorden
 E-mail: info@cargo floor.nl



PROJECT: **Explode views 2002**
 SUBJECT: **CF300-21-112 Wide-Body samenstelling**

ORDER: ...
 DATE: 18-02-02
 DRAWN: Boel (TA)

PAGE	1	Wide-Body
DRAWING NUMBER:	EV30001-CF-201	
REV. DATE	CHANGES	

Phone: +31-524-593900 Fax: +31-524-593999

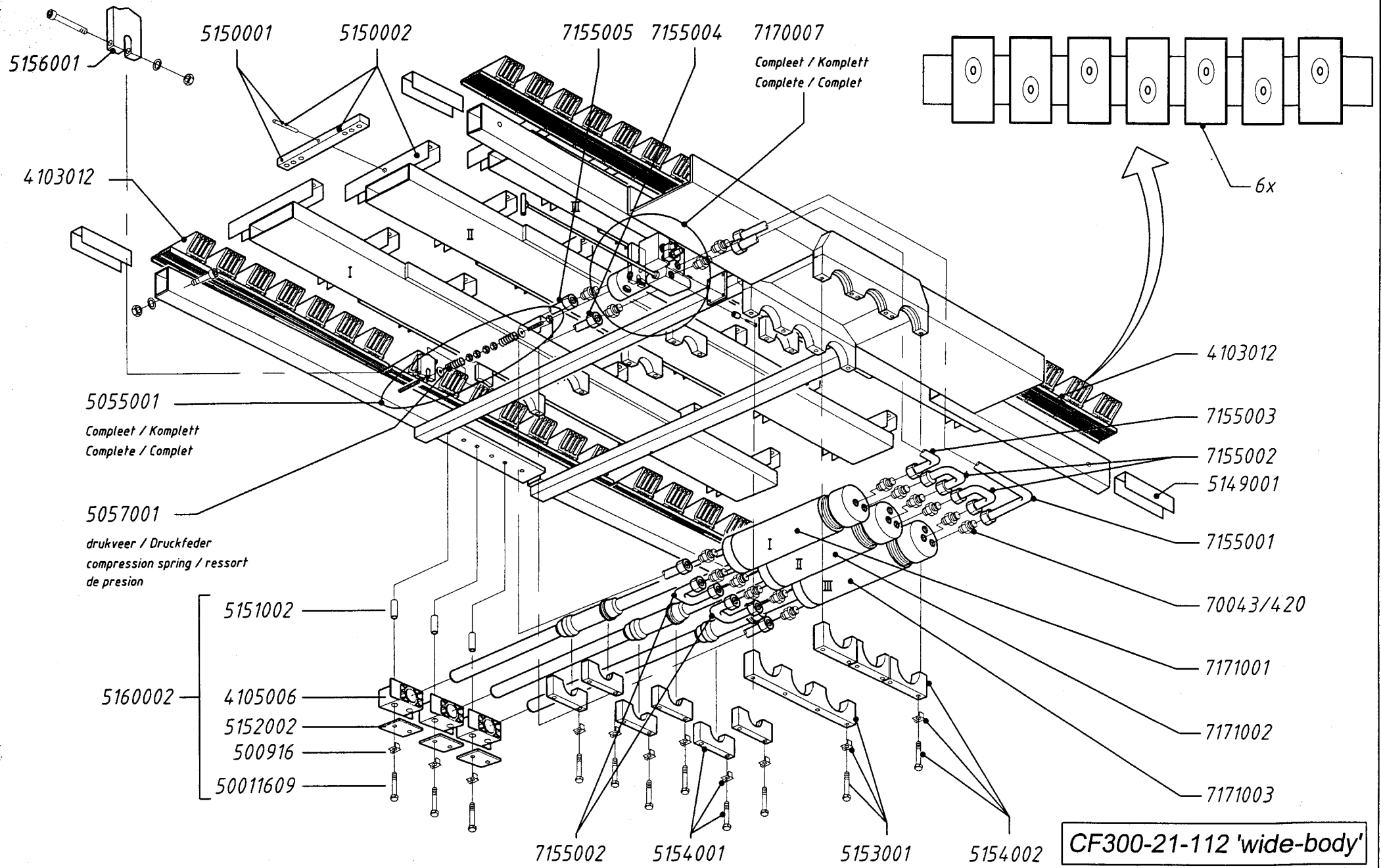
All rights strictly reserved. Reproductions or issue to third parties in any form whatever is not permitted without written authority from the proprietor.

Cargo Floor - Exploded views 2002		Rev. : 18-02-2002		Drawing number: EV30001-CF-201	
Bestelnummer Ersatzteilnummer Parts number Numéro de Pièce	CF300-21-112 'Wide-Body' Pagina 1 BENAMING	CF300-21-112 'Wide-Body' Page 1 DESCRIPTION	CF300-21-112 'Wide-Body' Seite 1 BENENNUNG	CF300-21-112 'Wide-Body' Page 1 DESIGNATION	Prijs Price EURO
2101007	Framevoet I - 21 Planks	Framefoot I	Rahmenfuss I	Tube Pousoir I	400,00
2101008	Framevoet II - 21 Planks	Framefoot II	Rahmenfuss II	Tube Pousoir II	400,00
2101009	Framevoet III - 21 Planks	Framefoot III	Rahmenfuss III	Tube Pousoir III	400,00
7072001	Filterelement Fairey Arlon 1	Filterelement FA 1	Filtereinsatz FA 1	Filtreélément FA 1	40,00
7072003	Filterset FA compleet CF300	Filterset compleet CF300	Filterset Komplett CF300	Filtre de pressure complet	165,00
7072004	Filterelement Fairey Arlon 2	Filterelement FA 2	Filtereinsatz FA 2	Filtreélément FA 2	40,00
7170007	Combinatieventiel compleet	Combination valve complete	Kombinationsventil komplett	Bloc distributeur complet	1.475,00
7171001	Cilinder CF300 nr. 1 + bev. mat.	Cylinder CF300 nr. 1	Zylinder CF300 nr. 1	Vérin CF300 nr.1	1.000,00
7171002	Cilinder CF300 nr. 2 + bev. mat	Cylinder CF300 nr. 2	Zylinder CF300 nr. 2	Vérin CF300 nr.2	1.000,00
7171003	Cilinder CF300 nr. 3 + bev. mat	Cylinder CF300 nr. 3	Zylinder CF300 nr. 3	Vérin CF300 nr.3	1.000,00
Prijzen : per stuk in EURO, excl. B.T.W. Levering : af werk, volgens onze standaard leverings- en betalingsvoorwaarden Betaling : netto, binnen 14 dagen na faktuurdatum Wijzigingen voorbehouden		Preisen : pro Stück in EURO, excl. Mwst. Lieferung : ab Werk, laut unsere standard Lieferungs- und Zahlungsbedingungen Zahlung : netto, innerhalb 14 Tagen ab Rechnungsdatum Änderungen vorbehalten		Prices : each in EURO, excl. VAT Delivery : Ex Works, according to our standard terms of payment and delivery Payment : nett, due 14 days from date of invoice All changes reserved	

Tel: +31 (0) 524 59 39 00

Fax: +31 (0) 524 59 39 99

E-mail: info@cargofloor.nl



CARGO FLOOR®

Cargo Floor B.V.
 Byte 14
 NL-7741 MK Coevorden
 P.O. Box 271
 NL-7740 AG Coevorden
 E-mail: info@cargo-floor.nl



PROJECT:
Explode views 2002
 SUBJECT:
CF300-21-112 Wide-Body

ORDER: ...
 DATE: 18-02-02
 DRAWN: Boel (TA)

PAGE
 2 Wide-Body

DRAWING NUMBER:
 EV30001-CF-202

Phone: +31-524-593900 Fax: +31-524-593999

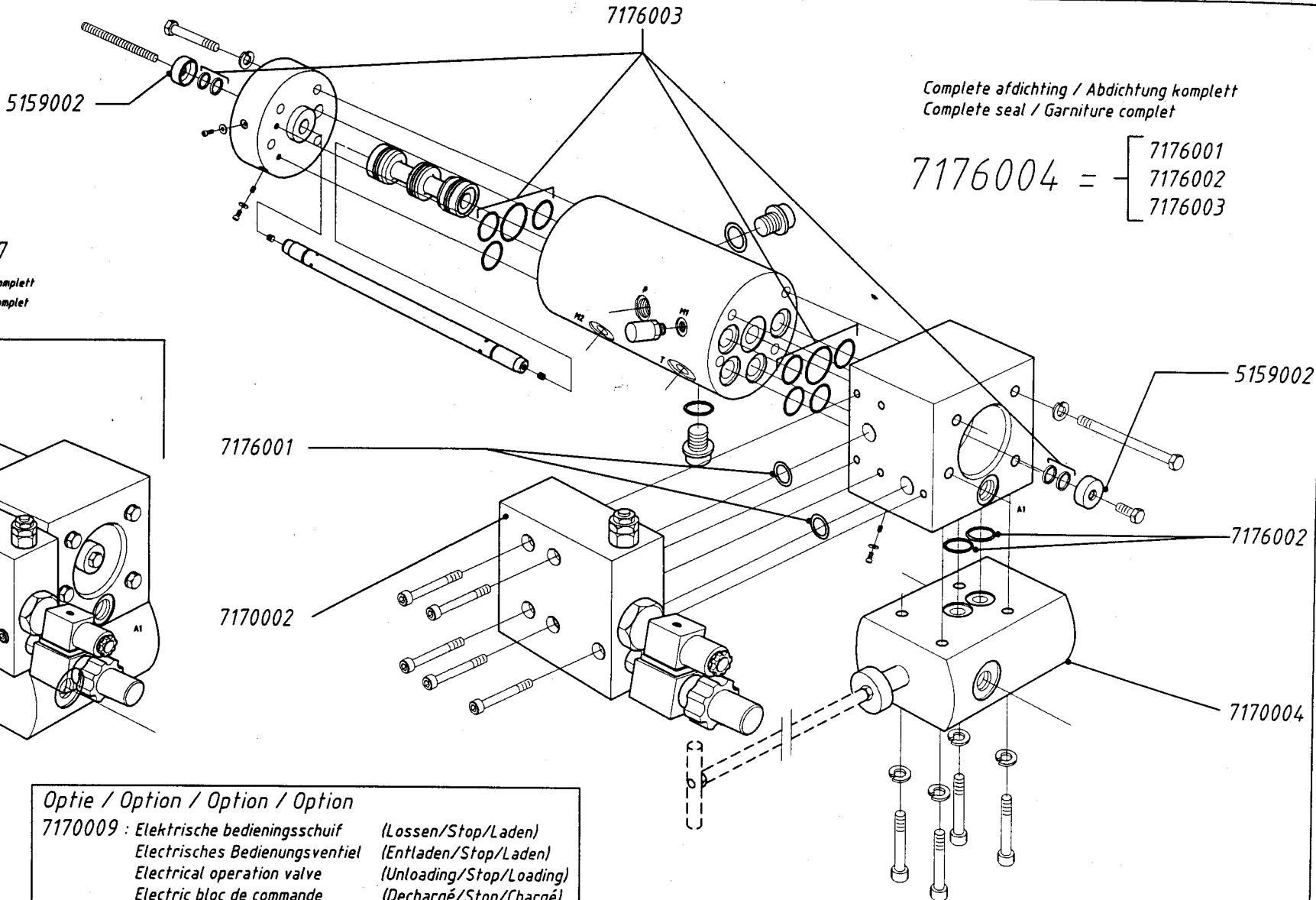
All rights strictly reserved. Reproductions or issue to third parties in any form whatsoever is not permitted without written authority from the manufacturer.

Cargo Floor - Exploded views 2002		Rev. : 18-02-2002		Drawing number: EV30001-CF-202	
Bestelnummer Ersatzteilnummer Parts number Numéro de Pièce	Samenstelling Pagina 2 BENAMING	Composition Page 2 DESCRIPTION	Zusammenbau Seite 2 BENENNUNG	Composition Page 2 DESIGNATION	Prijs Price EURO
4105006	Stanggeleidingsblok	Guide block for cilinderbar	Führungsblok für Zylinderstange	Étrier de guidage	25,00
4103012	Kunst.kam 7-112,H37mm rood	Plastic bearing strip, H.37 red	Kunstst. Gleitkamm, H.37 Rot	Patin plastic strip, H.37 rouge	10,00
5055001	Draadstang CF L.800mm compl.	Threaded rod completely	Gewindestange Komplett	Tige filetée complètement	10,00
5057001	Drukveer tbv draadstang	Spring	Federn	Ressort	2,50
5149001	Alu U-profiel 60x45x60 L=200mm	Alu. U Profile 60x45x60 L=200	Alu U-Profil 60x45x60 L=200	Alu U-profil 60x45x60 L=200	3,00
5150001	Montagestrip CF L.240mm 6xM10	Mountingstrip	Montagestreifen	Renfort d' aiguille	12,00
5150002	Vinger CF + montagestrip 240mm	Finger + mountingstrip	Finger + Montagestreifen	Doigt + renfort d' aiguille	19,00
5153001	Klembeugel tbv Cilindermantel	Clamping plate	Klemmplatte	Étrier de serrage	48,00
5154001	Klembeugel tbv Cilindermof	Clamping plate	Klemmplatte	Étrier de serrage	20,00
5154002	Klembeugel tbv Cilindermantel	Clamping brace	Klemmbügel	Étrier de serrage	20,00
5156001	Commandolip tbv draadstang	Commandlip for tread rod	Gabel für Gewindestange	Commander pour Tige	10,00
5160002	Kunststof geleidingsset tbv cil CF.	Piston rod guide set completey	Kolbenstange Führung Komplett	Verin Plaque de guidage complètement	110,00
5151002	Afstandspijp Ø22x2 L.56mm	Distance pipe	Distanzrohr	Entretoise	1,00
5152002	Drukplaat geleid blok 108x80x8	Pressure plate guide block cylinderbar	Druckplatte Führungsblok Zylinderstange	Plateau de pression	7,00
500916	Lipborgplaat M16	Tob washer	Scheibe mit lap	Frein a ailerons	0,50
50011609	Zeskantbout M16x90 elvz	Bolt M16 x 90	Bolzen M16 x 90	Vis M16 x 90	1,50
70043/420	Rechte inschroefkop. 3/4" x20mm	Male stud coupling 3/4"x20	Gerade Einschraubverschraub.	Raccord droit 3/4"x20	6,00
7155001	Hydraulische leiding Model S	Pipe S	Leitung S	Tuyau S	37,00
7155002	Hydraulische leiding Model A	Pipe A	Leitung A	Tuyau A	26,00
7155003	Hydraulische leiding Model R	Pipe R	Leitung R	Tuyau R	34,00
7155004	Hydraulische leiding Model P	Pipe P	Leitung P	Tuyau P	28,00
7155005	Hydraulische leiding Model Q	Pipe Q	Leitung Q	Tuyau Q	28,00
7170007	Combinatieventiel compleet	Combination valve completely	Kombinationsventil Komplett	Bloc distributeur complet	1.475,00
7171001	Cilinder CF300 nr. 1 + bev. mat.	Cylinder CF300 nr. 1	Zylinder CF300 nr. 1	Vérin CF300 nr.1	1.000,00
7171002	Cilinder CF300 nr. 2 + bev. mat	Cylinder CF300 nr. 2	Zylinder CF300 nr. 2	Vérin CF300 nr.2	1.000,00
7171003	Cilinder CF300 nr. 3 + bev. mat	Cylinder CF300 nr. 3	Zylinder CF300 nr. 3	Vérin CF300 nr.3	1.000,00
Prijzen : per stuk in EURO, excl. B.T.W. Levering : af werk, volgens onze standaard leverings- en betalingsvoorwaarden Betaling : netto, binnen 14 dagen na factuurdatum Wijzigingen voorbehouden		Preisen : pro Stück in EURO, excl. Mwst. Lieferung : ab Werk, laut unsere standard Lieferungs- und Zahlungsbedingungen Zahlung : netto, innerhalb 14 Tagen ab Rechnungsdatum Änderungen vorbehalten		Prices : each in EURO, excl. VAT Delivery : Ex Works, according to our standard terms of payment and delivery Payment : nett, due 14 days from date of invoice All changes reserved	

Tel: +31 (0) 524 59 39 00

Fax: +31 (0) 524 59 39 99

E-mail: info@cargofloor.nl



CARGO FLOOR®

Cargo Floor B.V.
Byte 14
NL-7741 MK Coevorden
P.O. Box 271
NL-7740 AG Coevorden
E-mail: info@cargofloor.nl



PROJECT:
Explode views 2002

SUBJECT:
CF300 - Combiventiel

ORDER: ...
DATE: 18-02-02
DRAWN: Boel (TA)

REV	DATE	CHANGES

PAGE
3

DRAWING NUMBER :
EV30001-CF-203

Phone: +31-524-593900 Fax: +31-524-593999

All rights strictly reserved. Reproductions or issue to third parties in any form whatever is not permitted without written authority from the proprietor.

Exploded views 2002

Rev.: 18-02-2002

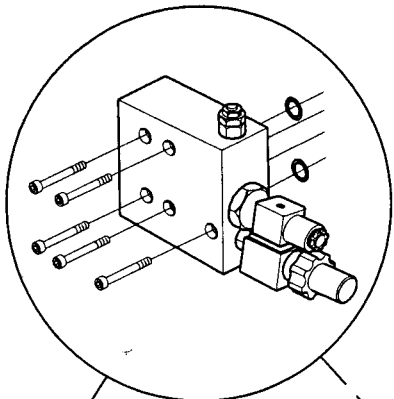
Drawing number: EV30001-CF-203

Combinatie ventiel Pagina 3 BENAMING	Combination valve Page 3 DESCRIPTION	Kombinationsventil Seite 3 BENENNUNG	Bloc distributeur Page 3 DESIGNATION	Prijs Price EURO
Combinatieventiel compleet	Combination valve	Kombinationsventil	Bloc distributeur	1.475,00
Afdichtingsset afschakelventiel	Seals for circulation/safety valve	Abdichtung für Abschaltventil	Étancher bloc d' alimentation	12,50
Afdichtingsset bedieningsventiel	Seals for operation valve	Abdichtung Bedienungsventil	Étancher bloc de commande	20,00
Afdichtingsset omschakelventiel	Seals for swiching valve	Abdichtung für Umschaltventil	Étancher bloc de comutateur	35,00
Afdichtingsset combiventiel compl.	Seals for combination valve	Abdichtung für Kombi-ventil	Étancher bloc distributeur	62,50
Aanslagring omschakelventil	Joining piece	Anschlagstück	Entretoise	8,50
Afsch.ventiel "Cargo"combi 24V	Circulation safety valve	Abschalt / Sicherheitsventil	Bloc d' alimentation	341,00
Bedieningsventiel - combi -compl.	Operation valve	Bedienungsventil	Bloc de commande	285,00
Bedieningsventiel E-Bed.	Operation valve "E"	Bedienungsventil "E"	Bloc de commande "E"	1.320,00
Bedieningsventiel P-Bed.	Operation valve "P"	Bedienungsventil "P"	Bloc de commande "P"	600,00
Prijzen : per stuk in EURO, excl. B.T.W. Levering : af werk, volgens onze standaard leverings- en betalingsvoorwaarden Betaling : netto, binnen 14 dagen na factuurdatum Wijzigingen voorbehouden	Preisen : pro Stück in EURO, excl. MwSt. Lieferung : ab Werk, laut unsere standard Lieferungs- und Zahlungsbedingungen Zahlung : netto, innerhalb 14 Tagen ab Rechnungsdatum Änderungen vorbehalten	Prices : each in EURO, excl. VAT Delivery : Ex Works, according to our standard terms of payment and delivery Payment : nett, due 14 days from date of invoice All changes reserved		

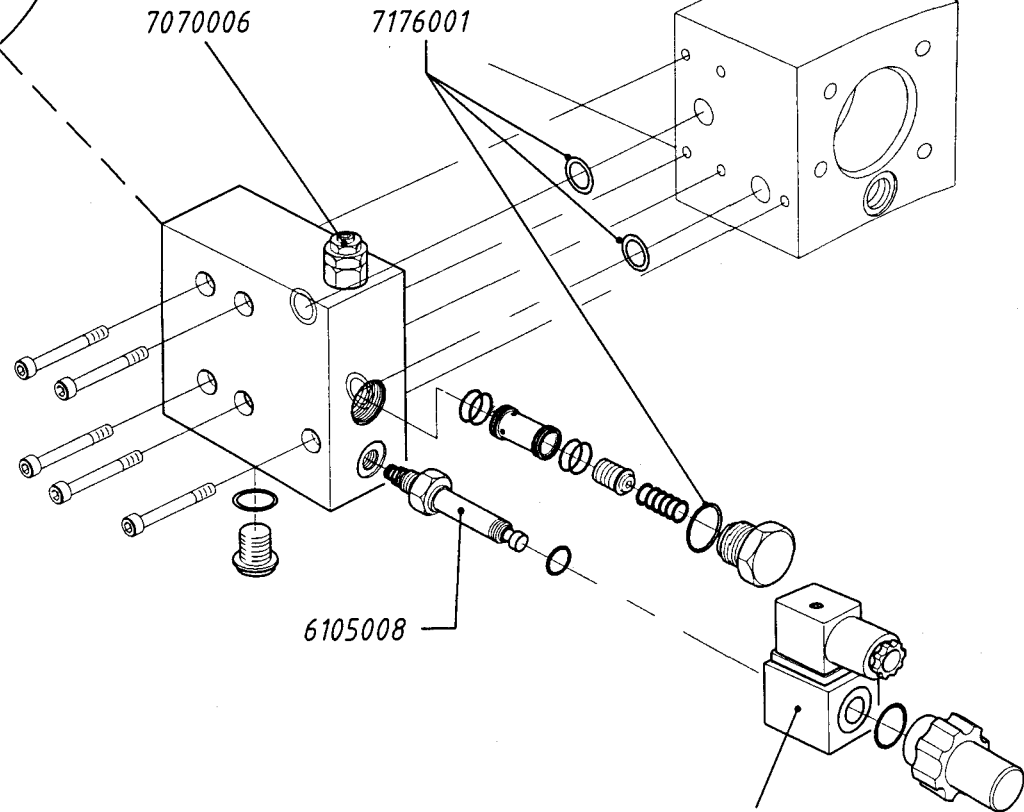
Tel: +31 (0) 524 59 39 00

Fax: +31 (0) 524 59 39 99

E-mail: info@cargofloor.nl

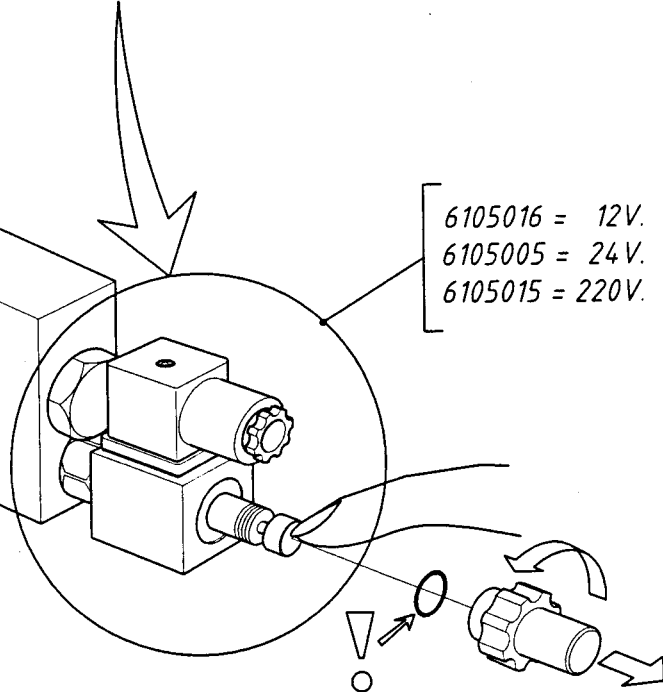


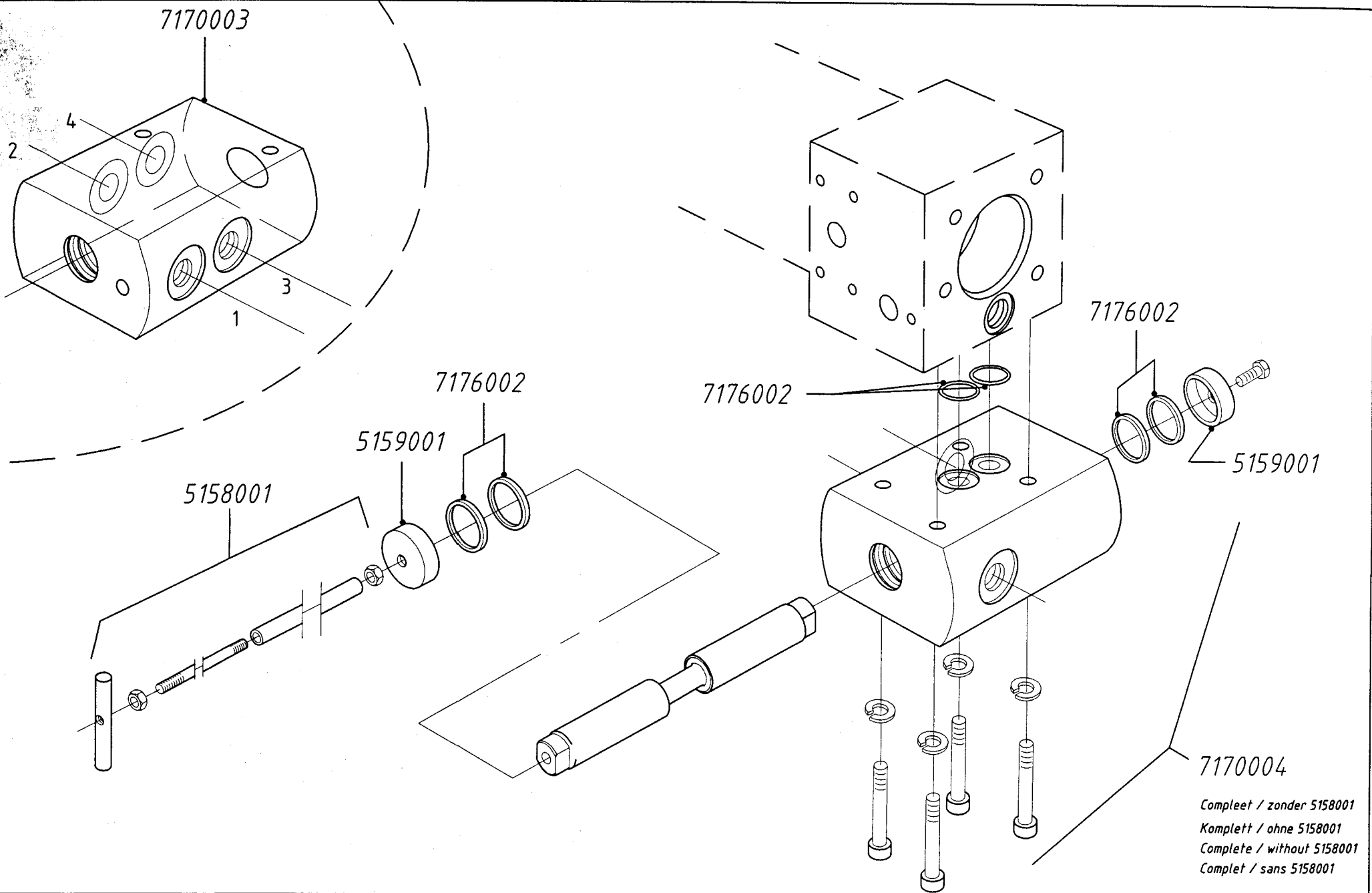
7170002
 Compleet / Komplet
 Complete / Complet



6105016 = 12V.
 6105005 = 24V.
 6105015 = 220V.

12 V. : 6105001
 24 V. : 6105017
 220 V. : 6105003





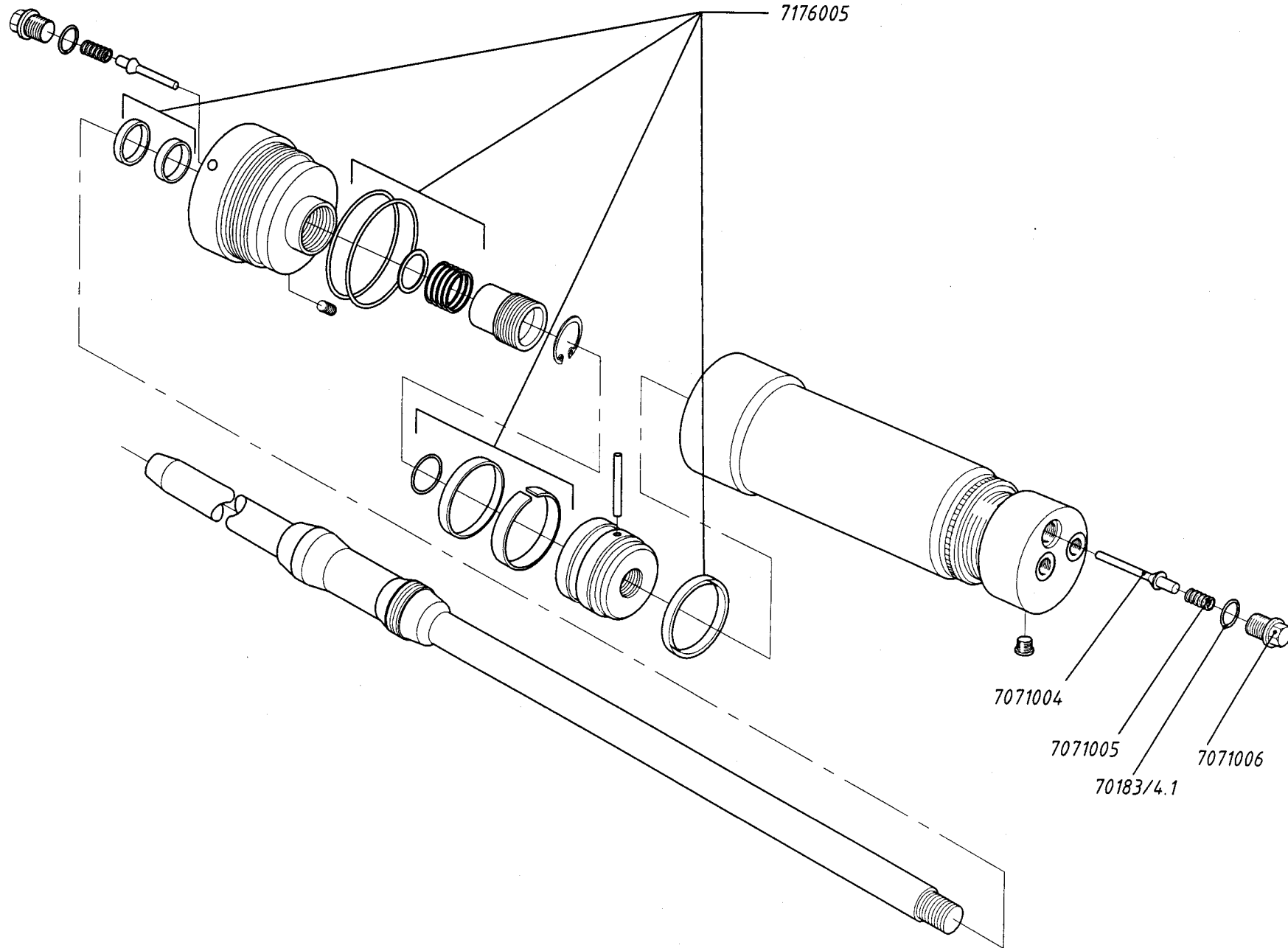
7170004
 Compleet / zonder 5158001
 Komplett / ohne 5158001
 Complete / without 5158001
 Complet / sans 5158001

Cargo Floor - Exploded views 2002		Rev. : 09-07-2002		Drawing number: EV30001-CF-204	
Bestelnummer Ersatzteilnummer Parts number Numéro de Pièce	Afschakelventiel Pagina 4 BENAMING	Circulation valve Page 4 DESCRIPTION	Abschaltventil Seite 4 BENENNUNG	Bloc d' alimentation Page 4 DESIGNATION	Prijs Price EURO
7170001 (compl. set solo)	Afsch.vent. Cargo-24V leiding Inbusbout O-Ring [7176001]	Circulation safety valve Cap srew O-Ring	Abschalt / Sicherheitsventiel Zylinderschraube O-Ring	Bloc d' alimentation (solo) Vis Joint torique	341,00
7170002 (compl. set combi)	Afsch.ventiel "Cargo"combi 24V Inbusbout O-Ring [7176001]	Circulation safety valve Cap srew O-Ring	Abschalt / Sicherheitsventiel Zylinderschraube O-Ring	Bloc d' alimentation (combi) Vis Joint torique	341,00
7070006	Drukbegegrenzingsstift	Pressure adjustment	Druck adjustierung	Vis de tarage	100,00
7176001	Afdichtingset afschakelventiel	Tightening-set	Abdichtungssatz	Tightening-set	12,50
6105001	Magneet CF 12 V vierkant Stekerkapje	Coil - CF 12 V Plug + Seal	Spule CF- 12V Stecker + Dichtung	Bobine - 12 V Tête d' electrovanne	67,00
6105017	Magneet 24 V vierkant Stekerkapje	Coil - CF 24 V Plug + Seal	Spule - CF 24 V Stecker + Dichtung	Bobine - 24 V Tête d' electrovanne	65,00
6105003	Magneet CF 220 V vierkant Stekerkapje	Coil - CF 220 V Plug + Seal	Spule CF- 220 V Stecker + Dichtung	Bobine - 220 V Tête d' electrovanne	67,00
6105008	Stift tbv CF magneet vierkant	Pin	Kern/Stift	Aimant	87,00
6105016	Magneet CF 12V vierk.+stift Spoel 12 V Stekerkapje	Solenoid 12V + Cartridge Coil Plug + Seal	Spule CF 12 V + Stift Spule Stecker + Dichtung	Aimant CF 12V compl. Bobine Tête d' electrovanne	152,50
6105005	Magneet CF 24V vierk.+stift Spoel 24V Stekerkapje	Solenoid 24V + Cartridge Coil Plug + Seal	Spule CF 24 V + Stift Spule Stecker + Dichtung	Aimant CF 24V compl. Bobine Tête d' electrovanne	150,00
6105015	Magneet CF 220V vierk.+stift Spoel 220V Stekerkapje	Solenoid 220V + Cartridge Coil Plug + Seal	Spule CF 220 V + Stift Spule Stecker + Dichtung	Aimant CF 220V compl. Bobine Tête d' electrovanne	152,50
	Prijzen : per stuk in EURO, excl. B.T.W. Levering : af werk, volgens onze standaard leverings- en betalingsvoorwaarden Betaling : netto, binnen 14 dagen na faktuurdatum Wijzigingen voorbehouden	Preisen : pro Stück in EURO, excl. Mwst. Lieferung : ab Werk, laut unsere standard Lieferungs- und Zahlungsbedingungen Zahlung : netto, innerhalb 14 Tagen ab Rechnungsdatum Anderungen vorbehalten	Prices : each in EURO, excl. VAT Delivery : Ex Works, according to our standard terms of payment and delivery Payment : nett, due 14 days from date of invoice All changes reserved		

Tel: +31 (0) 524 59 39 00

Fax: +31 (0) 524 59 39 99

E-mail: info@cargofloor.nl



7176005

7071004

7071005

7071006

70183/4.1

CARGO FLOOR®

Cargo Floor B.V.
 Byte 14
 NL-7741 MK Coevorden
 P.O. Box 271
 NL-7740 AG Coevorden
 E-mail: info@cargo-floor.nl



PROJECT:
Exploded views 2002
 SUBJECT:
CF300 - Cilinder

ORDER: ...				PAGE	6
DATE: 18-02-02				DRAWING NUMBER:	EV30001-CF-206
DRAWN: Boel (TA)				REV. DATE	CHANGES

Phone: +31-524-593900 Fax: +31-524-593999

All rights strictly reserved. Reproductions or issue to third parties in any form whatever is not permitted without written authority from the proprietor.

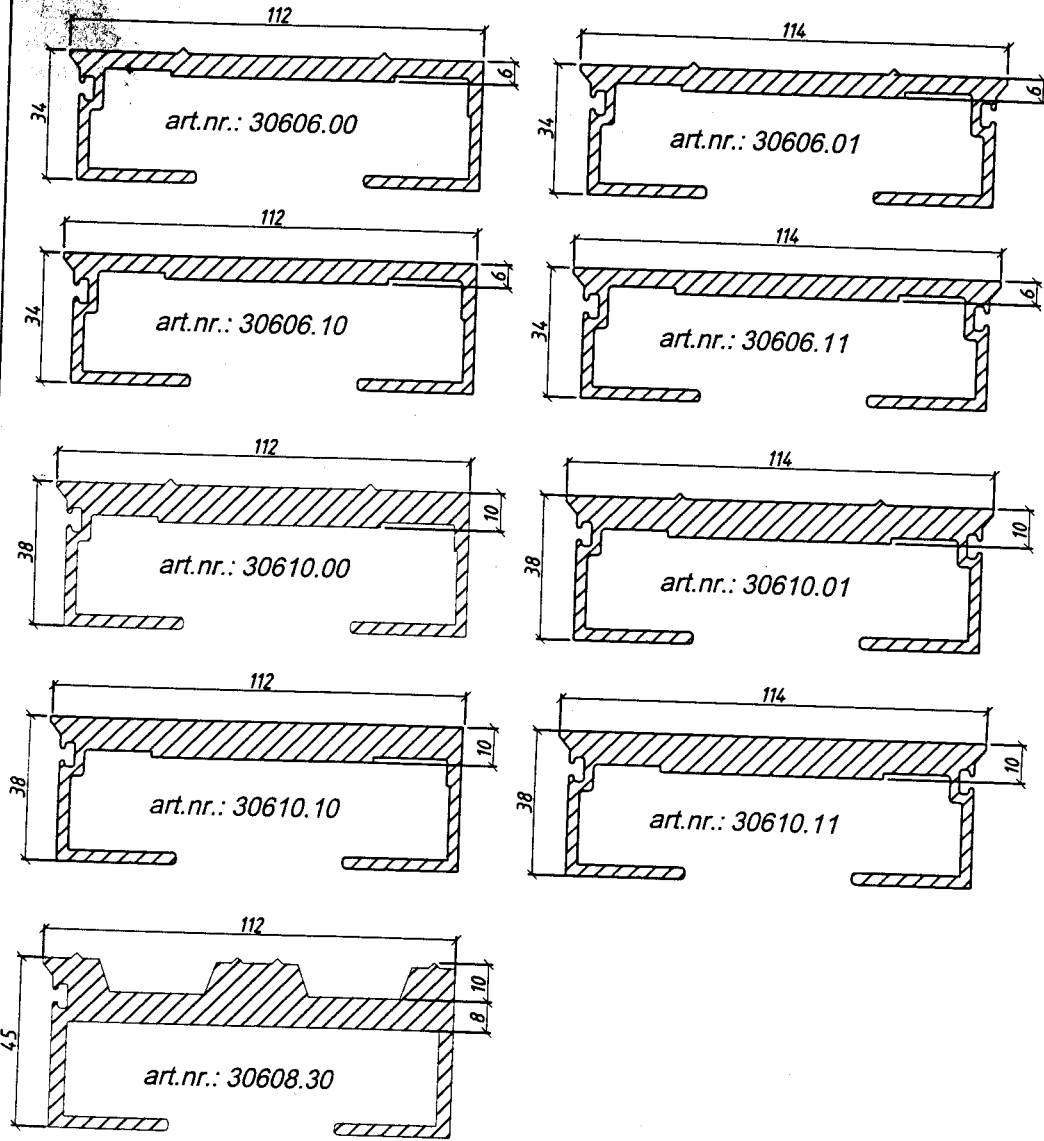
Cargo Floor - Exploded views 2002		Rev. : 09-07-2002		Drawing number: EV30001-CF-205	
Bestelnummer Ersatzteilnummer Parts number Numéro de Pièce	Bedieningsventiel Pagina 5 BENAMING	Operation valve Page 5 DESCRIPTION	Bedienungsventil Seite 5 BENENNUNG	Bloc de commande Page 5 DESIGNATION	Prijs Price EURO
7170003	Bedieningsventiel leidingmontage	Operation valve (solo)	Bedienungsventil (solo)	Bloc de commande (solo)	285,00
7170004	Bedieningsventiel (combi)	Operation valve (combi)	Bedienungsventil (combi)	Bloc de commande (combi)	285,00
5158001	Handgreep compl.tbv bed.schuif	Handle	Handgriff	Poignee	19,00
5159001	Aanslagring tbv Bed. Ventiel	Joining piece	Anschlagstück	Entretoise	8,50
7176002	Afdichtingsset bedieningsventiel	Set of seals	Abdichtungssatz	Étancher garniture.	20,00
Prijzen : per stuk in EURO, excl. B.T.W. Levering : af werk, volgens onze standaard leverings- en betalingsvoorwaarden Betaling : netto, binnen 14 dagen na faktuurdatum Wijzigingen voorbehouden		Preisen : pro Stück in EURO, excl. Mwst. Lieferung : ab Werk, laut unsere standard Lieferungs- und Zahlungsbedingungen Zahlung : netto, innerhalb 14 Tagen ab Rechnungsdatum Änderungen vorbehalten		Prices : each in EURO, excl. VAT Delivery : Ex Works, according to our standard terms of payment and delivery Payment : nett, due 14 days from date of invoice All changes reserved	

Tel: +31 (0) 524 59 39 00

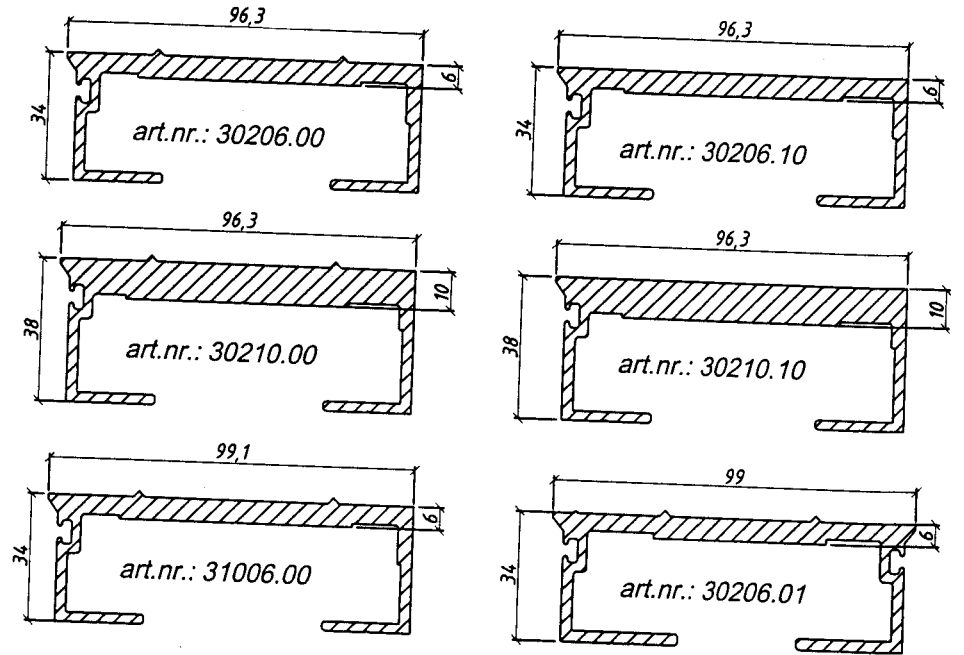
Fax: +31 (0) 524 59 39 99

E-mail: info@cargofloor.nl

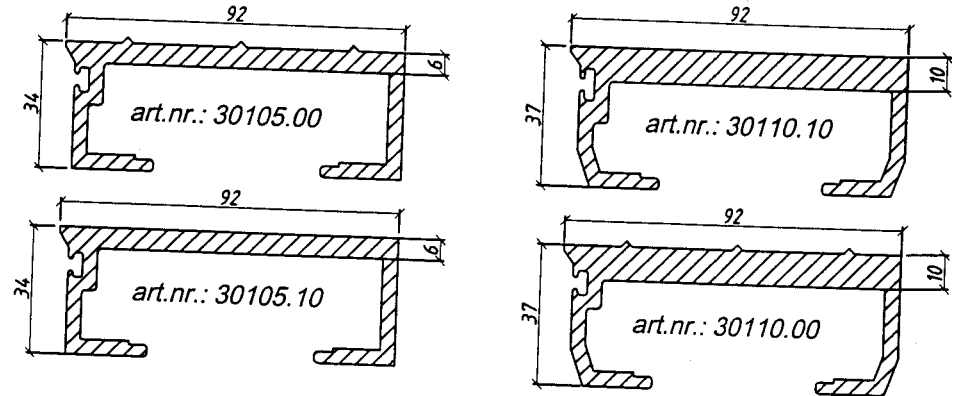
CF 21 profielen



CF 24 profielen



CF 25 profielen



CARGO FLOOR®

Cargo Floor B.V.
 Byte 14
 NL-7741 MK Coevorden
 P.O. Box 271
 NL-7740 AG Coevorden
 E-mail: info@cargofloor.nl



PROJECT:
Exploded views 2002
 SUBJECT:
Alu-profielen

ORDER: ...
 DATE: 19-02-02
 DRAWN: Braakman (Mac)

PAGE

7

DRAWING NUMBER:

EV30001-CF-207

All rights strictly reserved. Reproductions or issue to third parties in any form whatever is not permitted without written authority from the proprietor.

REV. DATE CHANGES

17

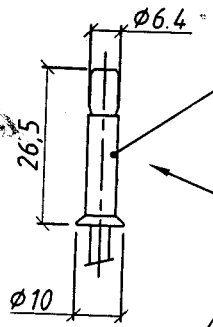
Cargo Floor - Exploded views 2002		Rev. : 18-02-2002			Drawing number: EV30001-CF-206	
Bestelnummer Ersatzteilnummer Parts number Numéro de Pièce	Cilinder Pagina 6 BENAMING	Cylinder Page 6 DESCRIPTION	Zylinder Seite 6 BENENNUNG	Vérin Page 6 DESIGNATION	Prijs Price EURO	
7071004	Klep t.b.v. cilinder	Valve for cylinder	Ventil für Zylinder	Soupape pour vérin	24,00	
7071005	Veer t.b.v. cilinderklep	Spring	Feder	Ressort	2,50	
70183 / 4.1	Bonded seal 3/4" afgedraaid	Bonded seal 3/4"	Dichtungsring 3/4"	Joint 3/4"	5,00	
7071006	Blindstop voor cilinderklep	Socket screw	Verschlusschraube	Bouchon Filets	6,00	
7176005	Complete afdichtingsset cilinder	Seals for cylinder complete	Dichtungssatz für Zylinder	Garniture pour vérin	147,50	
Prijzen : per stuk in EURO, excl. B.T.W. Levering : af werk, volgens onze standaard leverings- en betalingsvoorwaarden Betaling : netto, binnen 14 dagen na faktuurdatum Wijzigingen voorbehouden		Preisen : pro Stück in EURO, excl. Mwst. Lieferung : ab Werk, laut unsere standard Lieferungs- und Zahlungsbedingungen Zahlung : netto, innerhalb 14 Tagen ab Rechnungsdatum Änderungen vorbehalten		Prices : each in EURO, excl. VAT Delivery : Ex Works, according to our standard terms of payment and delivery Payment : nett, due 14 days from date of invoice All changes reserved		

Tel: +31 (0) 524 59 39 00

Fax: +31 (0) 524 59 39 99

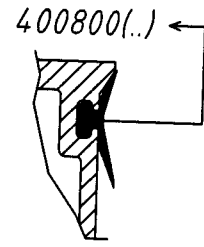
E-mail: info@cargofloor.nl

Popnagel/Blindniete
Blind rivet/Rivet pop

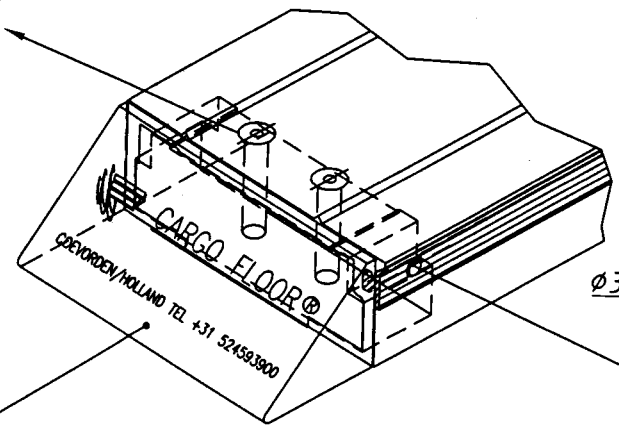


5017003

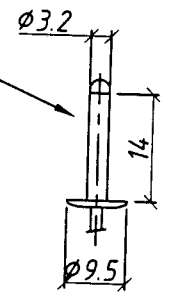
Afdichtingsprofiel/Dichtungsprofil
Seal/Joist



400800(...)



CARGO FLOOR®
COEVORDEN/HOLLAND TEL. +31 524593900



Popnagel/Blindniete
Blind rivet/rijet pop

5017001

Kunststof eindkap
Kunststoff Endkappe
Plastic endblock
Blocque en plastique

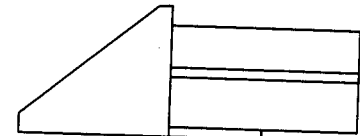
112mm. : 4104001
97mm. : 4104002

Aluminium eindkap
Aluminium Endkappe
Aluminium endblock
Blocque en aluminium

112mm. : 5164002
97mm. : 5164001



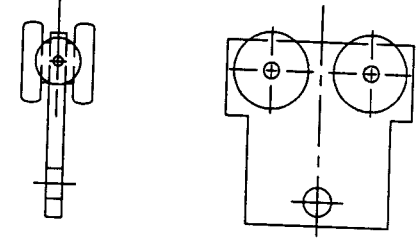
Vooraanzicht
Vorderansicht
Front view
Orthographic



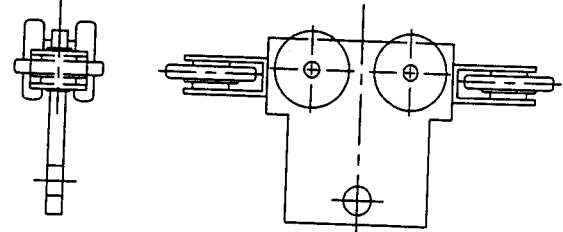
Zijaanzicht
Seitenriss
Side view
Élévation latérale

Meelopend kopschot / Mitlaufende Stirnwand
Moving Headboard / Cloison Mobile

5165001 [Loopkatten : Type 5000
Laufkatzen : Typ 5000
Traveling roller : Type 5000
Galets : Model 5000



5165002 [Loopkatten : Type 5000 RSE
Laufkatzen : Typ 5000 RSE
Traveling roller : Type 5000 RSE
Galets : Model 5000 RSE



CARGO FLOOR®

Cargo Floor B.V.
Byte 14
NL-7741 MK Coevorden
P.O. Box 271
NL-7740 AG Coevorden
E-mail: info@cargo-floor.nl



PROJECT: **Exploded views 2002**
SUBJECT: **Seal, eindkappen & loopkatten**

ORDER: ...

DATE: 19-02-02

DRAWN: Brakman (Mac)

PAGE
8

DRAWING NUMBER:
EV30001-CF-208

Phone: +31-524-593900 Fax: +31-524-593999

All rights strictly reserved. Reproductions or issue to third parties in any form whatever is not permitted without written authority from the proprietor.

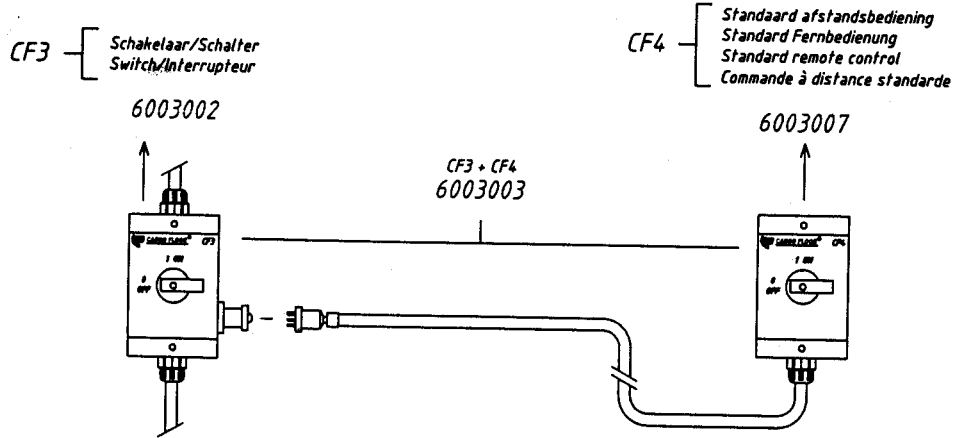
Cargo Floor - Exploded views 2002		Rev. : 19-02-2002		Drawing number: EV30001-CF-207	
Bestelnummer Ersatzteilnummer Parts number Numéro de Pièce	Aluminium - Profielen Pagina 7 BENAMING	Aluminium profiles Page 7 DESCRIPTION	Aluminium Profilen Seite 7 BENENNUNG	Aluminium planche Page 7 DESIGNATION	Prijs/mtr Price/mtr EURO
25 Profielen					
301 05 xxxxx .00	Profiel 92 - 5,5 mm standaard.	Profile 92 - 5,5 mm standard	Profil 92 - 5,5 mm Standard	Profil 92 - 5,5 mm standard	1 mtr./ 17,50
301 05 xxxxx .10	Profiel 92 - 5,5 mm glad	Profile 92 - 5,5 mm smooth	Profil 92 - 5,5 mm Glatt	Profil 92 - 5,5 mm Lisse	1 mtr./ 17,50
301 10 xxxxx .00	Profiel 92 - 10 mm stand.	Profile 92 - 10 mm standard	Profil 92 - 10 mm Standard	Profil 92 - 10 mm standard	1 mtr./ 24,60
301 10 xxxxx .10	Profiel 92 - 10 mm glad	Profile 92 - 10 mm smooth	Profil 92 - 10 mm Glatt	Profil 92 - 10 mm Lisse	1 mtr./ 24,60
24 Profielen					
302 06 xxxxx .00	Profiel 97 - 6 mm stand.	Profile 97 - 6 mm standard	Profil 97 - 6 mm Standard	Profil 97 - 6 mm standard	1 mtr./ 17,50
302 06 xxxxx .10	Profiel 97 - 6 mm glad	Profile 97 - 6 mm smooth	Profil 97 - 6 mm Glatt	Profil 97 - 6 mm Lisse	1 mtr./ 17,50
302 10 xxxxx .00	Profiel 97 - 10 mm stand.	Profile 97 - 10 mm standard	Profil 97 - 10 mm Standard	Profil 97 - 10 mm standard	1 mtr./ 24,60
302 10 xxxxx .10	Profiel 97 - 10 mm glad	Profile 97 - 10 mm smooth	Profil 97 - 10 mm Glatt	Profil 97 - 10 mm Lisse	1 mtr./ 24,60
302 06 xxxxx .01	Profiel 97 - 6 mm DS	Profile 97 - 6 mm DS	Profil 97 - 6 mm DS	Profil 97 - 6 mm DS	1 mtr./ 18,00
310 06 xxxxx .00	Profiel 99 - 6 mm standaard	Profile 99 - 6 mm standard	Profil 99 - 6 mm Standard	Profil 99 - 6 mm standard	1 mtr./ 19,00
21 Profielen					
306 06 xxxxx .00	Profiel 112 - 6 mm stand.	Profile 112 - 6 mm standard	Profil 112 - 6 mm Standard	Profil 112 - 6 mm standard	1 mtr./ 20,50
306 06 xxxxx .01	Profiel 112 - 6 mm stand DS	Profile 112 - 6 mm stand. DS	Profil 112 - 6 mm Stand. DS	Profil 112 - 6 mm stand. DS	1 mtr./ 20,50
306 06 xxxxx .10	Profiel 112 - 6 mm glad.	Profile 112 - 6 mm smooth	Profil 112 - 6 mm Glatt	Profil 112 - 6 mm Lisse	1 mtr./ 20,50
306 06 xxxxx .11	Profiel 112 - 6 mm glad DS	Profile 112 - 6 mm smooth DS	Profil 112 - 6 mm Glatt DS	Profil 112 - 6 mm Lisse DS	1 mtr./ 20,50
306 10 xxxxx .00	Profiel 112 - 10 mm stand.	Profile 112 - 10 mm standard	Profil 112 - 10 mm Standard	Profil 112 - 10 mm standard	1 mtr./ 28,50
306 10 xxxxx .01	Profiel 112 - 10 mm st. DS	Profile 112 - 10 mm stand. DS	Profil 112 - 10 mm Stand. DS	Profil 112 - 10 mm stand. DS	1 mtr./ 28,50
306 10 xxxxx .10	Profiel 112 - 10 mm glad	Profile 112 - 10 mm smooth	Profil 112 - 10 mm Glatt	Profil 112 - 10 mm Lisse	1 mtr./ 28,50
306 10 xxxxx .11	Profiel 112 - 10 mm glad DS	Profile 112 - 10 mm smooth DS	Profil 112 - 10 mm Glatt DS	Profil 112 - 10 mm Lisse DS	1 mtr./ 28,50
306 08 xxxxx .30	Profiel HDI - 112 8/16,5mm	Profile HDI - 112 8/16,5mm	Profil HDI - 112 8/16,5mm	Profil HDI - 112 8/16,5mm	1 mtr./ 35,00
Prijzen : per stuk in EURO, excl. B.T.W. Levering : af werk, volgens onze standaard leverings- en betalingsvoorwaarden Betaling : netto, binnen 14 dagen na faktuurdatum Wijzigingen voorbehouden		Preisen : pro Stück in EURO, excl. Mwst. Lieferung : ab Werk, laut unsere standard Lieferungs- und Zahlungsbedingungen Zahlung : netto, innerhalb 14 Tagen ab Rechnungsdatum Änderungen vorbehalten		Prices : each in EURO, excl. VAT Delivery : Ex Works, according to our standard terms of payment and delivery Payment : nett, due 14 days from date of invoice All changes reserved	

Tel: +31 (0) 524 59 39 00

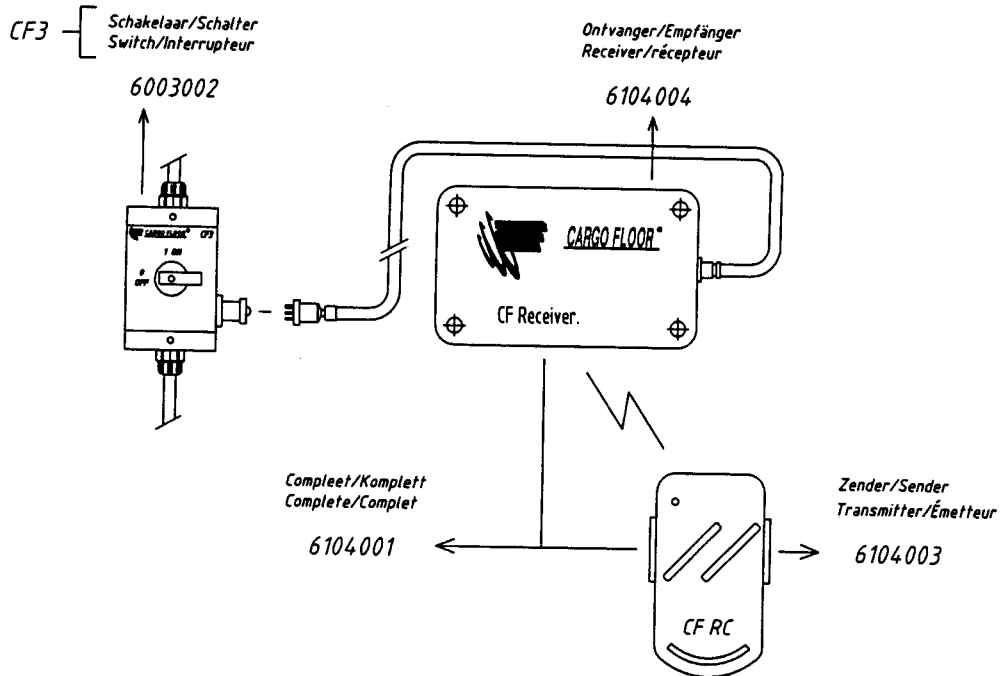
Fax: +31 (0) 524 59 39 99

E-mail: info@cargofloor.nl

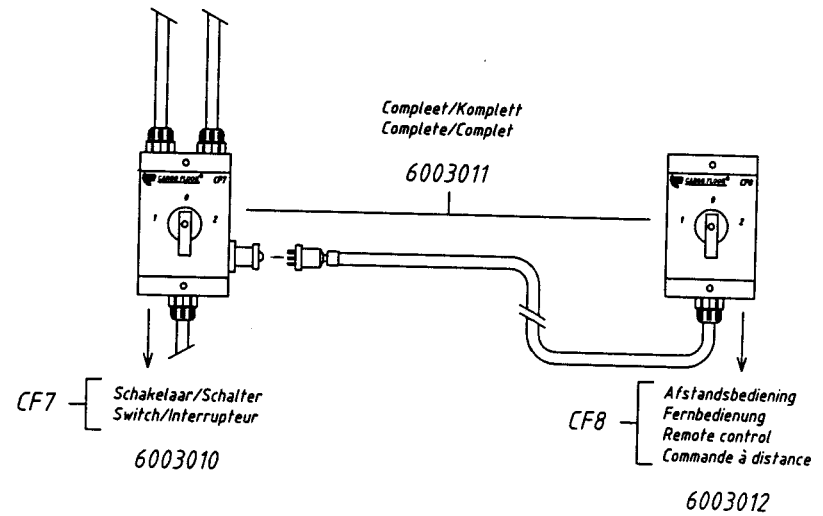
Bediening B / Bedienung B / Control B / Commande B



Draadloze afstandsbediening(optie) / Drahtlose Fernbedienung (Option) / Wireless remote control (optional) / Telecommande sans fil (option)



Bediening E & PE / Bedienung E & PE / Control E & PE / Commande E & PE



Cargo Floor B.V.
Byte 14
NL-7741 MK Coevorden
P.O. Box 271
NL-7740 AG Coevorden
E-mail: info@cargo-floor.nl



PROJECT:
Exploded views 2002

SUBJECT:
Bedieningen

ORDER: ...

DATE: 20-02-02

DRAWN: Braakman (Mac)

PAGE

9

DRAWING NUMBER :

EV30001-CF-209

All rights strictly reserved. Reproductions or issue to third parties in any form whatever is not permitted without written authority from the proprietor.

REV. DATE CHANGES

IT

Phone: +31-524-593900

Fax: +31-524-593999

Cargo Floor - Exploded views 2002		Rev. : 19-02-2002	Drawing number: EV30001-CF-208	
Bestelnummer Ersatzteilnummer Parts number Numéro de Pièce	Afstandbed. + loopkatten Pagina 8 BENAMING	Seals and rolls Page 8 DESCRIPTION	Dichtungen und Rollen Seite 8 BENENNUNG	Prijs Price EURO
4104002	Kunststof eindkap 45° - 97mm	Plastic endcap 45° - 97mm	Kunststoff Endkappe 45°	2,00
4104001	Kunststof eindkap 45° - 112mm	Plastic endcap 45° - 112mm	Kunststoff Endkappe 45°	2,00
4104001.1	Doos Kunststof eindkap 45° - 112mm	Box Plastic endcap 45° - 112mm	Karton Kunststoff Endkappe 45°	40,00/23 st.
				7,00
5164001	Aluminium eindkap 45°- 97mm	Aluminium endcap 45°	Aluminium Endkappe 45°	7,00
5164002	Aluminium eindkap 45°- 112mm	Aluminium endcap 45°	Aluminium Endkappe 45°	150,00/ 23st.
5164002.1	Doos Aluminium eindkap 45°- 112mm	Box Aluminium endcap 45°	Karton Aluminium Endkappe 45°	
				50,00/ 1mtr.
4204001	1 Mtr. eindafdichting 92 mm	Mtr. End seal for alu. floorplank-92mm	Mtr. kunststoff Endabdichtung - 92mm	10,00/100st.
5017001.1	Doos Popnagels tbv seal 3.2 x 14	Box rivet for seal	Karton Blindnieten für Abdichtungsprof.	25,00/50st.
5017003	Monobolt 6.5x15.9 (4-12mm)	Monoboult 6.5x15.9 (4-12mm)	Blindnieten 6,5x15,9 (4-12mm)	37,50/150st.
502110025.1	Doos Schroeven M10x 25	Box screw M10x25	Karton Schrauben M10x25	
				68,50
5165001	Rollen Comodor 5000 RS	Rollen Comodor 5000 RS	Rollen Comodor 5000 RS	91,00
5165002	Rollen Comodor 5000 RSE	Rollen Comodor 5000 RSE	Rollen Comodor 5000 RSE	
				1mtr. / 1,70
4008001	Afdichtingsprofiel per meter	Seal a meter	Dichtungsprofil pro Meter	50mtr. / 60,00
4008002	Afdichtingsprofiel 50 mtr.	Seal 50 mtr.	Dichtungsprofil 50 Mtr.	175mtr. / 210,00
4008003	Afdichtingsprofiel 175 mtr.	Seal 175 mtr.	Dichtungsprofil 175 Mtr.	200mtr. / 240,00
4008004	Afdichtingsprofiel 200 mtr.	Seal 200 mtr.	Dichtungsprofil 200 Mtr.	225mtr. / 270,00
4008005	Afdichtingsprofiel 225 mtr.	Seal 225 mtr.	Dichtungsprofil 225 Mtr.	300mtr. / 360,00
4008006	Afdichtingsprofiel 300 mtr.	Seal 300 mtr.	Dichtungsprofil 300 Mtr.	350mtr. / 420,00
4008008	Afdichtingsprofiel 350 mtr.	Seal 350 mtr.	Dichtungsprofil 350 Mtr.	400mtr. / 480,00
4008009	Afdichtingsprofiel 400 mtr.	Seal 400 mtr.	Dichtungsprofil 400 Mtr.	
	Prijzen : per stuk in EURO, excl. B.T.W. Levering : af werk, volgens onze standaard leverings- en betalingsvoorwaarden Betaling : netto, binnen 14 dagen na faktuurdatum Wijzigingen voorbehouden	Preisen : pro Stück in EURO, excl. Mwst. Lieferung : ab Werk, laut unsere standard Lieferungs- und Zahlungsbedingungen Zahlung : netto, innerhalb 14 Tagen ab Rechnungsdatum Anderungen vorbehalten	Prices : each in EURO, excl. VAT Delivery : Ex Works, according to our standard terms of payment and delivery Payment : nett, due 14 days from date of invoice All changes reserved	

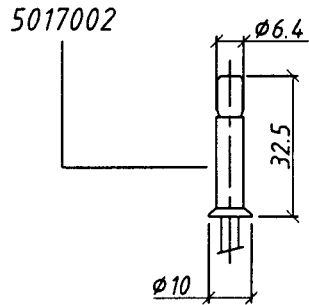
Tel: +31 (0) 524 59 39 00

Fax: +31 (0) 524 59 39 99

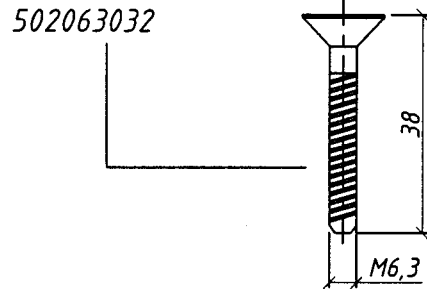
E-mail: info@cargofloor.nl

Kunststof geleidingskam / Kunststoff Gleitkamm / Plastic bearing block strip / Patin bande plastique

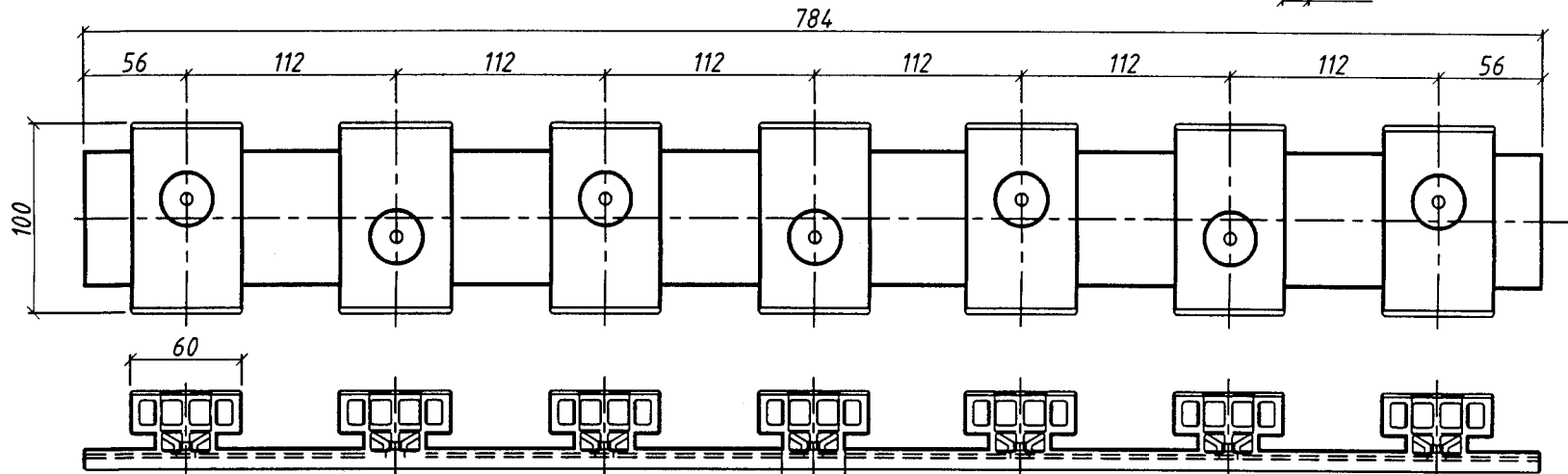
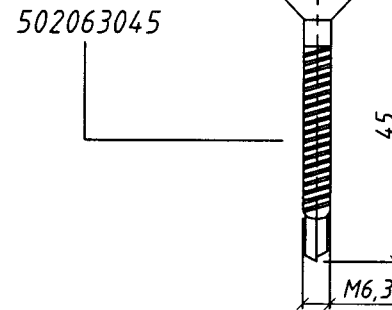
Popnagel/Blindniete
Blind rivet/Rivet pop



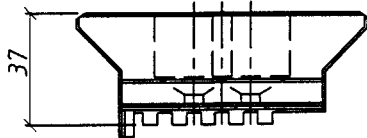
Zelf-tapper/Blechschaube
Self-tapping screw/
Vis auto-taraudeuse



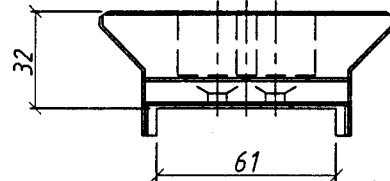
Zelfborende schroef
Self-drilling screw
Bohrschaube
Vis auto-perceuses



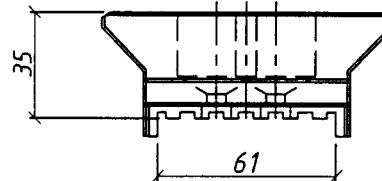
4103012
Rood/Rot/Red/Rouge
691 gr



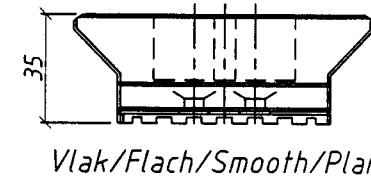
4103010
Wit/Weiss/White/Blanc
578 gr



4103011
Blauw/Blau/Blue/Bleu
681 gr



4103009
Oranje/Orange/Orange/Orange
677 gr



Vlak/Flach/Smooth/Plan

Patent pending

Patent pending

Cargo Floor - Exploded views 2002		Rev. : 28-02-2002	Drawing number: EV30001-CF-210	
Bestelnummer Ersatzteilnummer Parts number Numéro de Pièce	Bedieningen Pagina 10 BENAMING	Operations Page 10 DESCRIPTION	Bedienungen Seite 10 BENENNUNG	Prijs Price EURO
7170004	Bedieningsventiel Combi B-bed.	Operation valve complete	Bedienungsventil komplett	285,00
7170002	Afschakelventiel "cargo" combi 24V	Circulation safety-valve complete	Abschaltventil komplett	341,00
6105005	Magneet CF 24V Vierkant + stift	Solenoid CF 24V. Square+cartridge	Spule CF24V. viereckig+Stift	150,00
7170009	Bedieningsventiel E-bed.	Bedienungsventil "E"-Bed.	Bedienungsventil "E"-Bed.	1.320,00
6105013	Magneet CF 24V E-bed.Vierkant	Solenoid CF 24 V. Square	Spule CF 24 V. Viereck	65,00
6105018	Stuurschuif incl. magneet E-bed.	Steeringvalve incl. solenoid E-bed.	Steuerventil inkl. Spule E-bed.	190,00
7170010	Bedieningsventiel P-bed.	Bedienungsventil "P"-Bed.	Bedienungsventil "P"-Bed.	600,00
7170012	Spoel 24V tbv pneum. Ventiel	Solenoid 24V for pneum. valve	Spule 24V für Pneum. Ventil	65,00
7170013	Pneumatisch ventiel 5/2 - 1/8"	Pneum. Valve 5/2-1/8	Pneum Ventil 5/2-1/8	140,50
Prijzen : per stuk in EURO, excl. B.T.W. Levering : af werk, volgens onze standaard leverings- en betalingsvoorwaarden Betaling : netto, binnen 14 dagen na faktuurdatum Wijzigingen voorbehouden		Preisen : pro Stück in EURO, excl. Mwst. Lieferung : ab Werk, laut unsere standard Lieferungs- und Zahlungsbedingungen Zahlung : netto, innerhalb 14 Tagen ab Rechnungsdatum Änderungen vorbehalten		Prices : each in EURO, excl. VAT Delivery : Ex Works, according to our standard terms of payment and delivery Payment : nett, due 14 days from date of invoice All changes reserved

Tel: +31 (0) 524 59 39 00

Fax: +31 (0) 524 59 39 99

E-mail: info@cargofloor.nl

Cargo Floor - Exploded views 2002		Rev. : 28-02-2002	Drawing number: EV30001-CF-211	
Bestelnummer Ersatzteilnummer Parts number Numéro de Pièce	Bedieningen Pagina 11 BENAMING	Plastic bearing blocks Page 11 DESCRIPTION	Kunst. Gleitkammen Seite 11 BENENNUNG	Prijs Price EURO
5017002	Monobolt 6,4x23,1 (10.5-18.4mm)	Monobolzt 6.4x23.1 (10.5-18.4mm)	Monobolzt 6.4x23.1 (10.5-18.4mm)	0,60
502063032	Zelfsnijd. kruiskopschroef 6,3x32 /%	Self-tapping screw 6.3x32 /%	Blendschraube 6.3x32 /%	25,00/%
502063045	Zelfborende schroef 6,3x45 /%	Self drilling screw 6.3x45 /%	Bohrschraube 6.3x45 /%	30,00/%
4103012	Kunst. kam, 7-112, H.37mm rood	Plastic bearing strip 7-112, H37, red	Kunst. Gleitkamm 7-112, H37, Rot	10,00
4103010	Kunst. kam, 7-112, H.32mm wit	Plastic bearing strip 7-112, H32, white	Kunst. Gleitkamm 7-112, H32, Weiß	10,00
4103011	Kunst. kam, 7-112, H.35mm blauw	Plastic bearing strip 7-112, H35, bleu	Kunst. Gleitkamm 7-112, H35, Blau	10,00
4103009	Kunst. kam, 7-112, H.35mm oranje	Plastic bearing strip 7-112, H35, orange	Kunst. Gleitkamm 7-112, H35, orange	10,00
	Opmerking: u heeft 3 kammen nodig voor 1 dwarstraverse.	Remark: you need 3 plastic bearing strips for 1 crossmember.	Bemerkung: Sie brauchen 3 Gleitkammen für 1 Traverse.	
	Prijzen : per stuk in EURO, excl. B.T.W. Levering : af werk, volgens onze standaard leverings- en betalingsvoorwaarden Betaling : netto, binnen 14 dagen na factuurdatum Wijzigingen voorbehouden	Preisen : pro Stück in EURO, excl. MwSt. Lieferung : ab Werk, laut unsere standard Lieferungs- und Zahlungsbedingungen Zahlung : netto, innerhalb 14 Tagen ab Rechnungsdatum Anderungen vorbehalten	Prices : each in EURO, excl. VAT Delivery : Ex Works, according to our standard terms of payment and delivery Payment : nett, due 14 days from date of invoice All changes reserved	

Tel: +31 (0) 524 59 39 00

Fax: +31 (0) 524 59 39 99

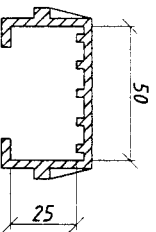
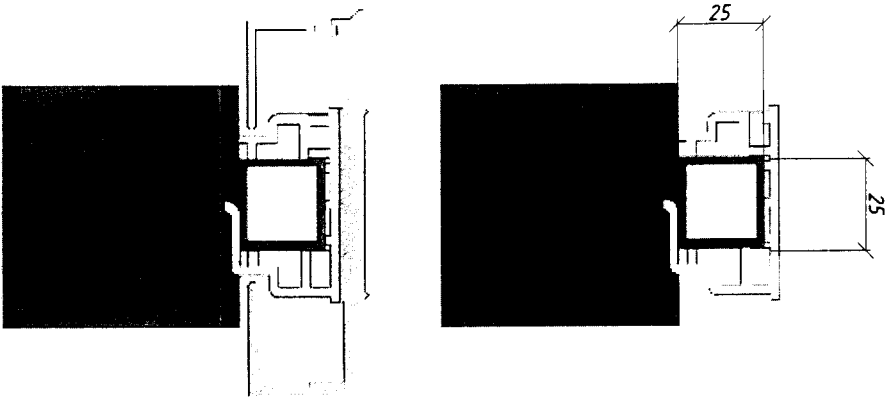
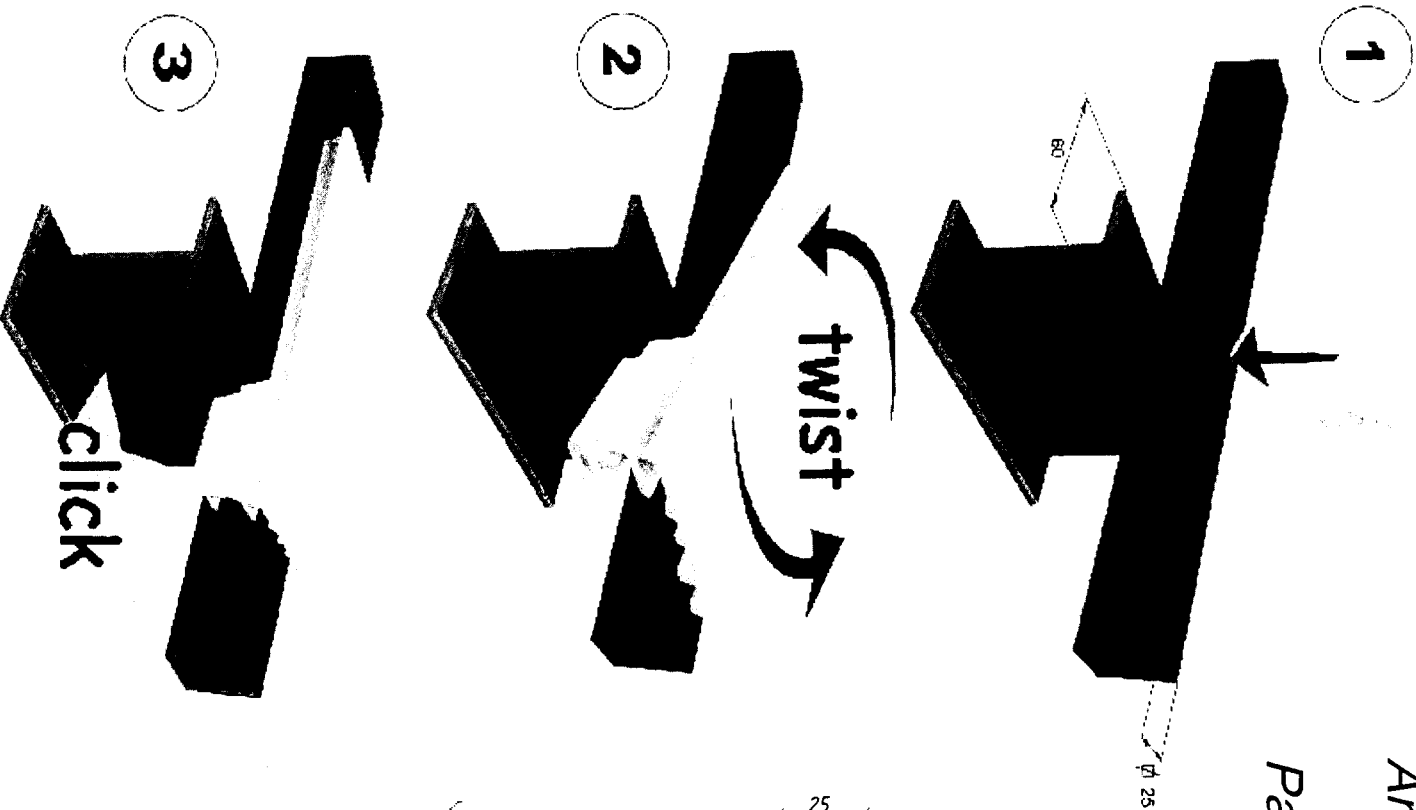
E-mail: info@cargofloor.nl



Cargo Twister

Art.nr. 4107002

Patent Pending



Geliederblokje / Geleilager / Bearing block / Guide de planches

50 x 25 mm.

Art.nr. 4007004



Cargo Floor B.V.
 Byte 14
 NL-7741 MK Coevorden
 P.O. Box 271
 NL-7740 AG Coevorden
 E-mail: info@cargofloor.nl



PROJECT: **Explode Views 2002**
 SUBJECT: **Cargo Twister**

All rights strictly reserved. Reproductions or issue to third parties in any form whatever is not permitted without written authority from the proprietor.

ORDER: ...

DATE: 01-03-02

DRAWN: Broakman (Mac)

PAGE

12

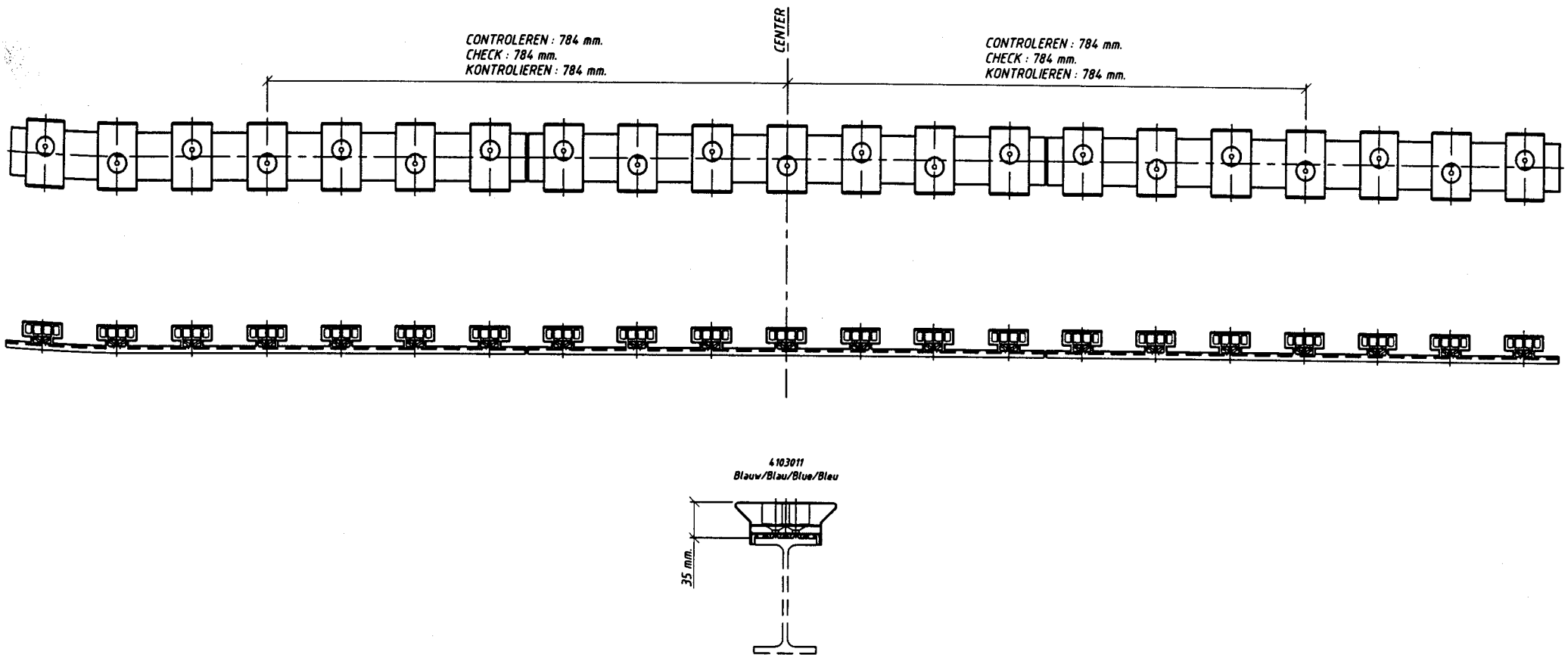
DRAWING NUMBER :

EV30001-CF-212

REV. DATE CHANGES BY

Phone: +31-524-593900

Fax: +31-524-593999



CARGO FLOOR®

Cargo Floor B.V.
 Byte 14
 NL-7741 MK Coevorden
 P.O. Box 271
 NL-7740 AG Coevorden
 E-mail: info@cargo-floor.nl



ISO 9001:2000
 certified company

PROJECT:
 Exploded views 2002
SUBJECT:
 Montage geleidingskammen

ORDER: ...

DATE: 16-04-02

DRAWN: Braakman

PAGE

...

DRAWING NUMBER:

EV30001-CF-213

All rights reserved. Reproduction or issue of this drawing is prohibited without the written consent of the author.

A 31-05-02 Controlmeest ontwerp S.R.B.

Cargo Floor - Exploded views 2002		Rev. : 01-03-2002	Drawing number: EV30001-CF-212	
Bestelnummer Ersatzteilnummer Parts number Numéro de Pièce	Twister Pagina 12 BENAMING	Twister Page 12 DESCRIPTION	Twister Seite 12 BENENNUNG	Prijs Price EURO
4107002	Kunst. geleider, "Cargo Twister"	Plastic bearing block, "Cargo Twister"	Kunst,Gleitlager, "Cargo Twister"	0,85
4007004	Kunststof geleider t.b.v. koker 50x25mm	Plastic bearings 50x25mm	Kunststoff Gleitlager für Profil 50x25mm	1,15
<p>Prijzen : per stuk in EURO, excl. B.T.W. Levering : af werk, volgens onze standaard leverings- en betalingsvoorwaarden Betaling : netto, binnen 14 dagen na factuurdatum Wijzigingen voorbehouden</p>		<p>Preisen : pro Stück in EURO, excl. Mwst. Lieferung : ab Werk, laut unsere standard Lieferungs- und Zahlungsbedingungen Zahlung : netto, innerhalb 14 Tagen ab Rechnungsdatum Anderungen vorbehalten</p>		<p>Prices : each in EURO, excl. VAT Delivery : Ex Works, according to our standard terms of payment and delivery Payment : nett, due 14 days from date of invoice All changes reserved</p>
Tel: +31 (0) 524 59 39 00 Fax: +31 (0) 524 59 39 99 E-mail: info@cargofloor.nl				

