

# DOUBLEFLIP

Donovan Shurco Dawbarn - 3 brands one company



## DOUBLE FLIP

### Features

- Opens or closes in 10 seconds!
- Optional self-contained power kit for tippers
- Choice of vinyl or mesh tarp
- Lids overlap when closed, preventing blowouts!



For all your replacement parts for Donovan Shurco Double Flip  
Go to [www.dawbarnparts.com](http://www.dawbarnparts.com)  
01525 872466

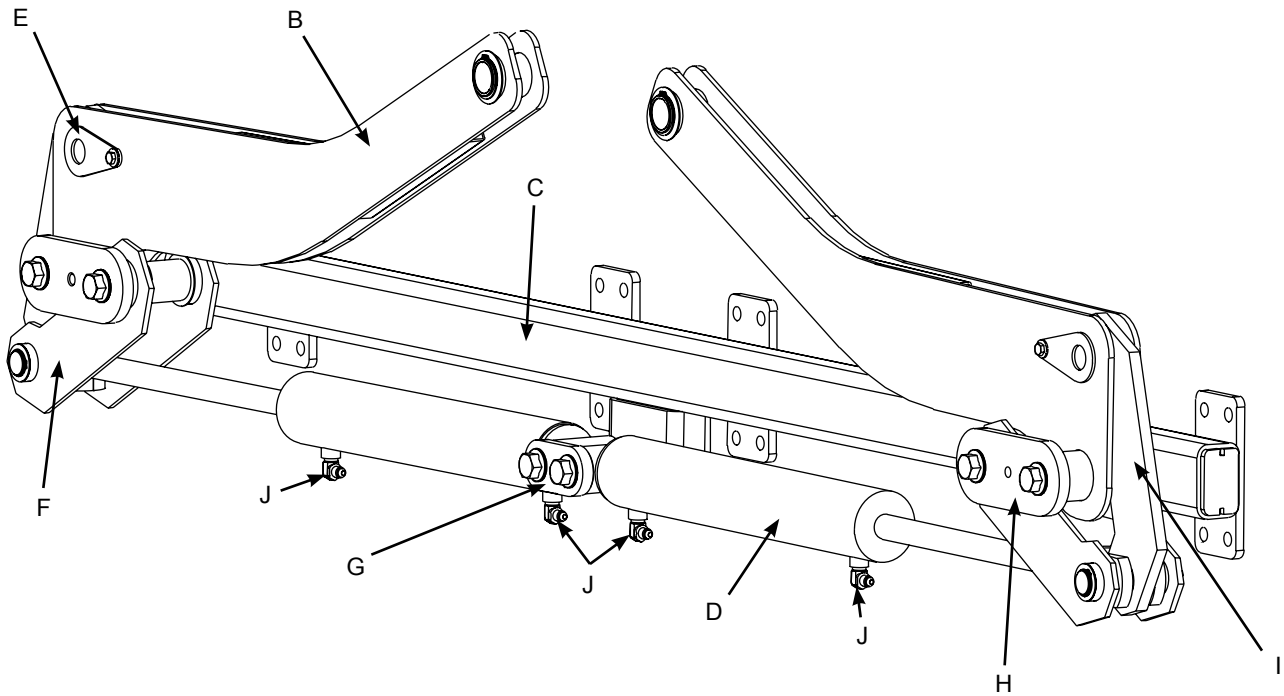
# DOUBLEFLIP

Donovan Shurco Dawbarn - 3 brands one company



## DOUBLE FLIP Head Assembly

(A)



	DESCRIPTION	PART
A	<b>Double Flip Head Assembly, Complete</b>	<b>795</b>
B	Actuator Arm Assembly	803
C	Base Tube Weldment	818
D	Hydraulic Cylinder	812
E	Pin Weldment	817
F	Short Link Assembly	784

	DESCRIPTION	PART
G	Cylinder Pin Connector	801
H	Short Link Pin Connector	800
I	Long Link Assembly	796
J	Hydraulic Fitting	572
	Wind Deflector (not shown)	880

For spare parts click and buy at [www.newtontrailers.com](http://www.newtontrailers.com)  
or call  
01525 872466

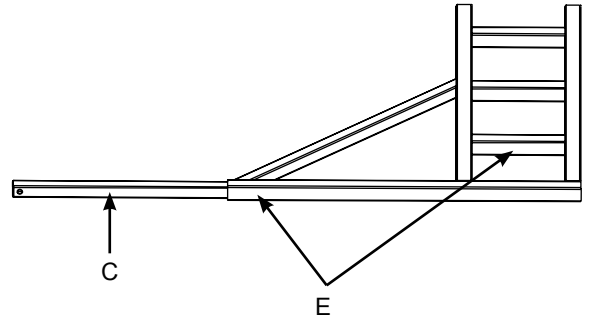
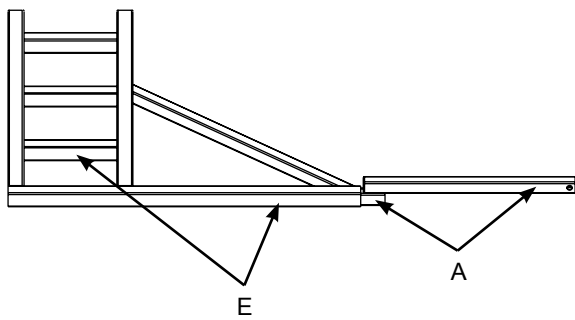
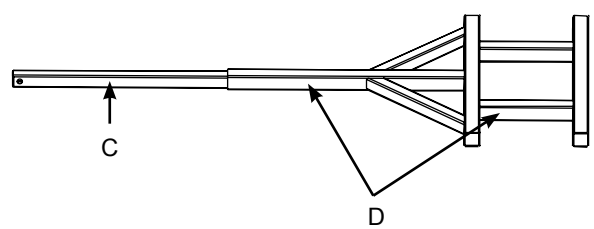
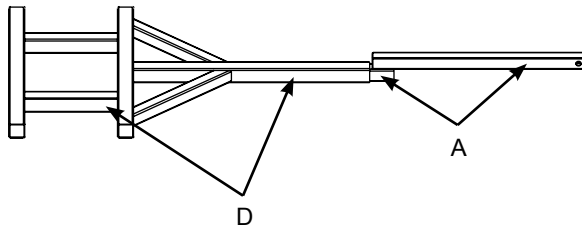
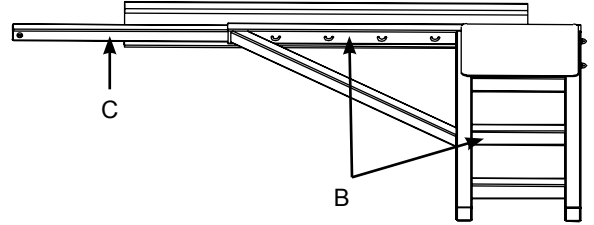
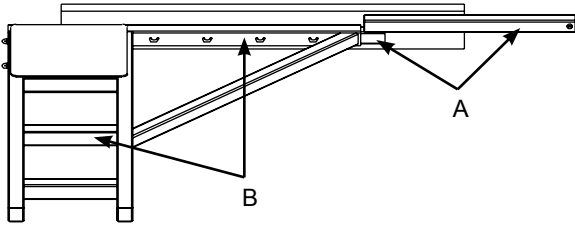


Dawbarn Shurco Donovan - 3 brands one company

## DOUBLE FLIP Lid Assemblies

### DRIVER'S SIDE

### CURB SIDE



	DESCRIPTION	PART
A	Stepped Cable Extension Tube	776
B	Front Lid Weldment	764
C	Straight Cable Extension Tube	775

	DESCRIPTION	PART
D	Center Lid Weldment	762
E	Rear Lid Weldment	766

For replacement parts call  
01525 872466

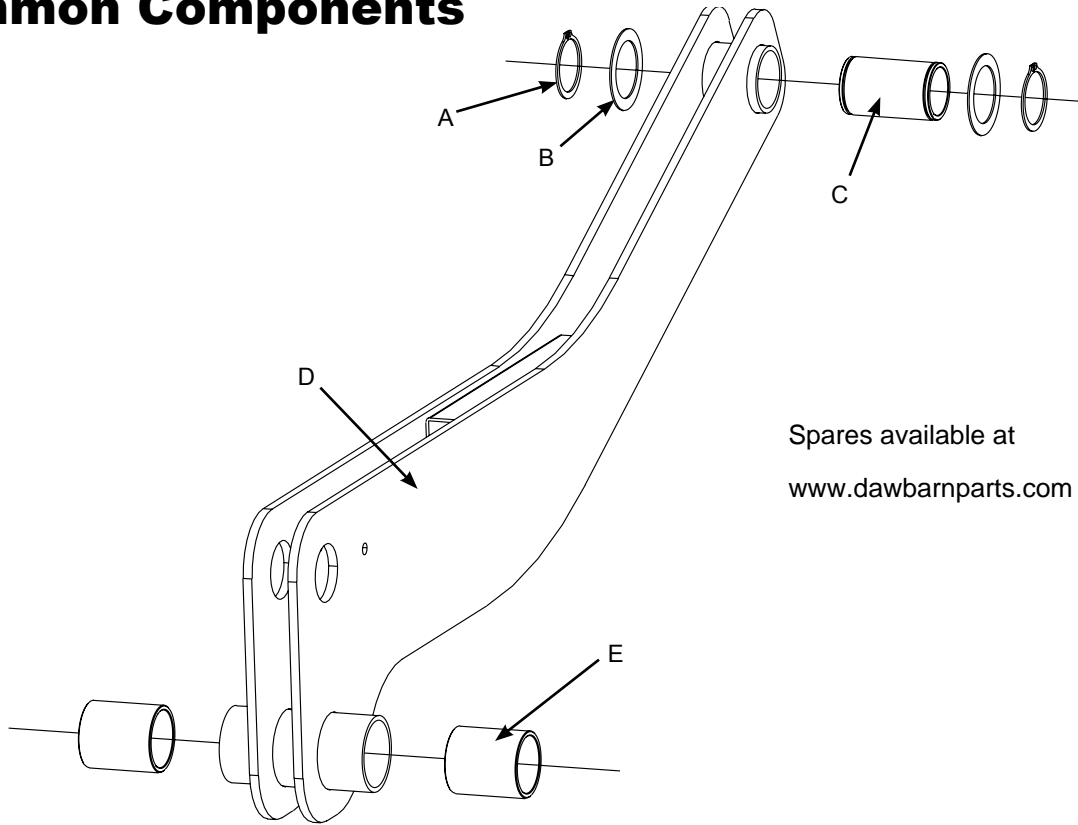
# SIDEWINDER II



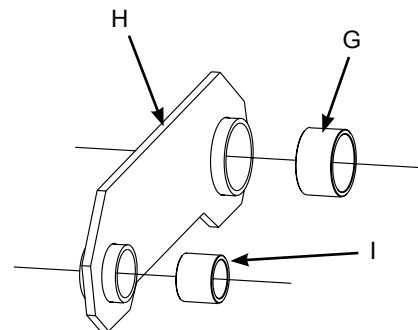
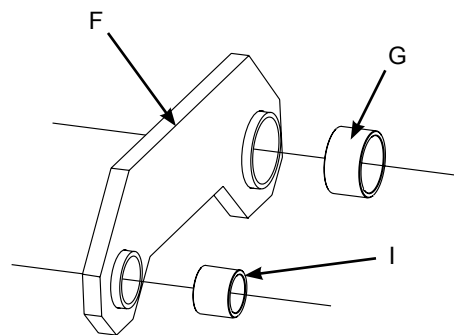
## DOUBLEFLIP



### Common Components



Spares available at  
[www.dawbarnparts.com](http://www.dawbarnparts.com)



	DESCRIPTION	PART
A	1.5" Retaining Ring	2589
B	1.5" ID x 0.047" Shim	811
C	1.25" ID x 2.5" Bronze Bushing	810
D	Actuator Arm Weldment	805
E	1.5" IS x 2" Bronze Bushing	756

	DESCRIPTION	PART
F	Long Link Weldment	797
G	1.5" ID x 1" Bronze Bushing	2587
H	Short Link Weldment	785
I	1" ID x 1" Bronze Bushing	1665

For all your spares and replacement parts:  
 Click and purchase on line at [www.dawbarnparts.com](http://www.dawbarnparts.com)

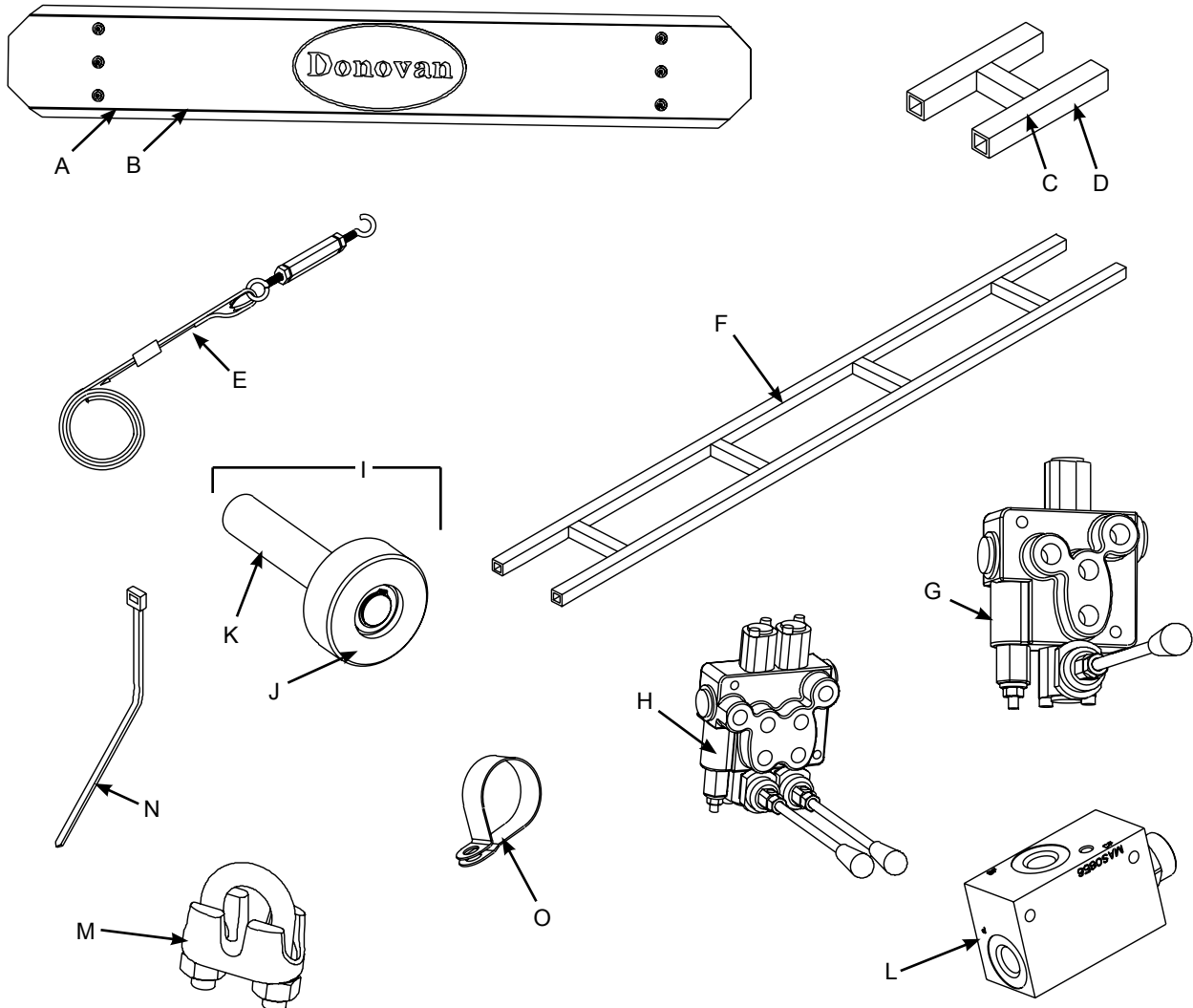


# SIDEWINDER II

# DOUBLEFLIP



## Common Components



	DESCRIPTION	PART
A	Wind Deflector, SIDEWINDER	1055
B	Wind Deflector, DOUBLE FLIP	880
C	"H" Connector Assembly, 12", Single Part	2603
D	"H" Connector Assembly, 12", Box of 4	3313
E	3/16" Cable w/ Turnbuckle, 30'	3587
	Turnbuckle, 3/8" x 10.5	2628
F	Ladder Weldment, 88" x 11.5"	2601
G	Single Spool Control Valve, SIDEWINDER	1614
I	Roller Assembly	1196
N	8" Zip Tie	2827
O	Cable Nut	2579

I	Roller Assembly	1196
J	UHMW Roller	779
K	Roller Shaft	1188
M	3/4" Wire Loop Strap	2689
	Complete Wet Kit (Box, SIDEWINDER) includes	3972
	Single Spool Control Valve	1614
	Primary Flow Control Valve (1.5 gal)	965
	Complete Wet Kit (Box, DOUBLEFLIP) includes	4729
H	Manual 2 Spool Valve	4500
L	Primary Flow Control Valve (1.5 gal.)	965
	DoubleFlip Hydraulic Kit	826

# SIDEWINDER II



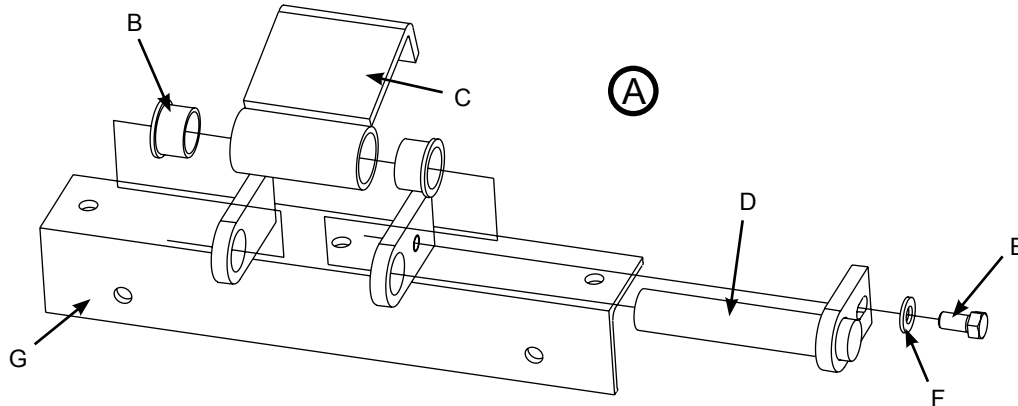
# DOUBLEFLIP

## Common Components



Donovan Dawbarn Shurco - 3 brands one company

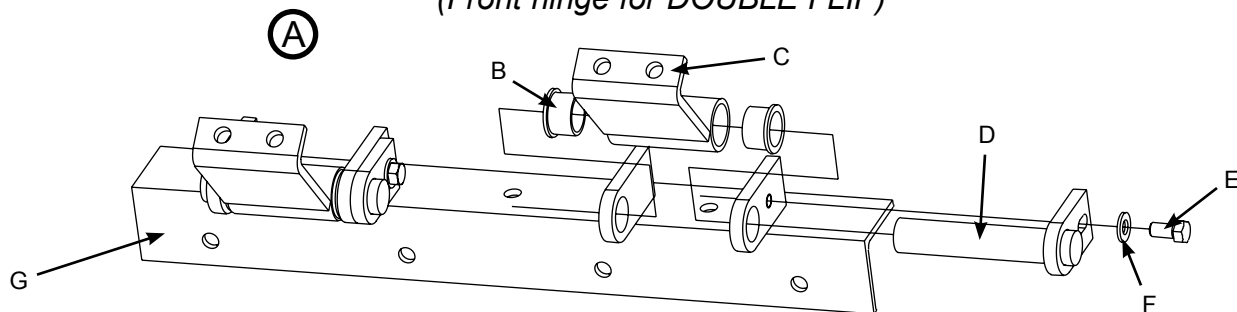
### **Single Hinge Assembly** (Center hinge for SIDEWINDER II) (Rear and center hinge for DOUBLE FLIP)



	DESCRIPTION	PART
A	Single Hinge Assembly	4313
B	1 1/4" ID Flange Bushing	2546
C	Lid Hinge Mounting Bracket	4319
D	Hinge Pin Assembly	1909

	DESCRIPTION	PART
E	1/2" - 13 x 1 1/4" Bolt	1910
F	1/2" Lock Washer	2471
G	Center and Rear Hinge	4314
	Bushing / Pin Kit	4392

### **Double Hinge Assembly** (Front and rear hinge for SIDEWINDER II) (Front hinge for DOUBLE FLIP)



	DESCRIPTION	PART
A	Double Hinge Assembly	4311
B	1 1/4" ID Flange Bushing	2546
C	Lid Hinge Mounting Bracket	4319
D	Hinge Pin Assembly	1909

	DESCRIPTION	PART
E	1/2" - 13 x 1 1/4" Bolt	1910
F	1/2" Lock Washer	2471
G	Front Hinge	4312

For replacement parts simply click and purchase online at

[www.newtontrailers.com](http://www.newtontrailers.com) or 01525 872466

