

EB+ GEN3

INCREASED FUNCTIONALITY



Innovative Vehicle Solutions

Components

Description	Part no.	Information
Label	028 5262 09	ISO 7638 connection label
COLAS* (AUX 1, 2, and 3)	338 061 xxx	single circuit, lowering lock (RoRo)
	338 062 xxx	single circuit, lowering and raising lock (RoRo)
	338 071 xxx	dual circuit, lowering lock (RoRo)
ILAS®-E (AUX 1, 2 and 3)	352 061 xxx	M16x1.5 (E series)
	352 062 xxx	push-in 8x1 (E series)
	352 070 xxx	push-in 8x1 (E series)
	352 080 xxx	push-in 8x1 (E series)
Trailer valve	352 067 1xx	without Safe Parking
TrCM*	352 067 6xx	with Safe Parking
TEM*	352 075 xxx	with Safe Parking
Control line sensor	815 022 001	M 16x1.5 thread for REV port
REV pressure switch cable	814 001 502	10 m length
	814 001 512	2 m length
	814 001 522	0.75 m length
	814 001 532	3 m length
	814 001 542	5 m length
	814 001 552	8 m length
	814 001 562	26 m length
REV	351 033 xxx	with port for control line sensor
Protect-O	334 085 101	coupling head, service, yellow with test point
	334 085 111	coupling head, service, yellow
	334 086 101	coupling head, emergency, red
Electronic height sensor (AUX 4 or 5)	815 030 001	electronic height sensor
	612 025 001	linkage (vertical)
	003 575 709	linkage (horizontal)
Assembly/service kit EB+	950 800 307	QRV service kit
	950 800 905	DCV service kit

System extension

Description	Part no.	Information
EB+ Soft Docking (DIAGN)	364 608 001	ECU
	364 606 001	outline marker lamp and brake cable
	364 617 001	LED outline marker lamp (left side)
	364 611 011	LED outline marker lamp (right side)
	364 605 001	sensor and audio beeper cable
	364 616 001	audio beeper
	364 614 001	ultrasonic sensor
	364 607 001	sensor splitter cable
TPMS (DIAGN)	815 052 001	receiver control unit (RCU)
	910 815 024	wheel unit sensor kit (WUS)
	003 951 709	cable / clamp assembly
	042 727 309	cable stretcher tool
	006 700 021_M	wheel unit sensor indicator label
	815 053 001	TPMS trigger



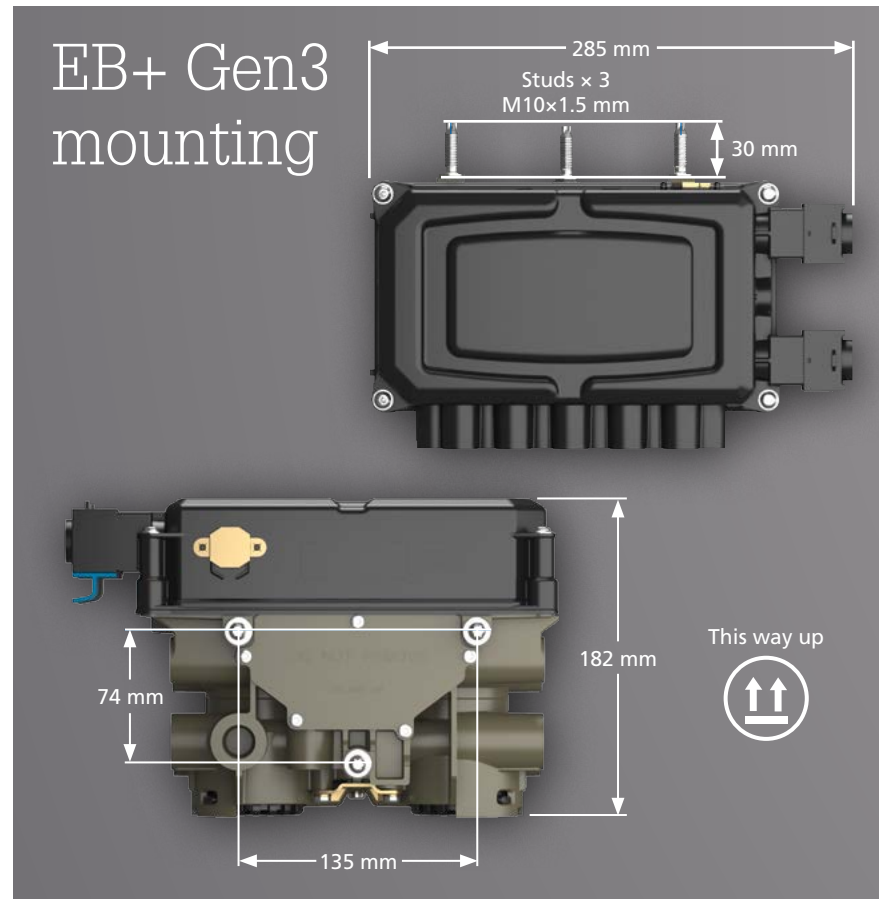
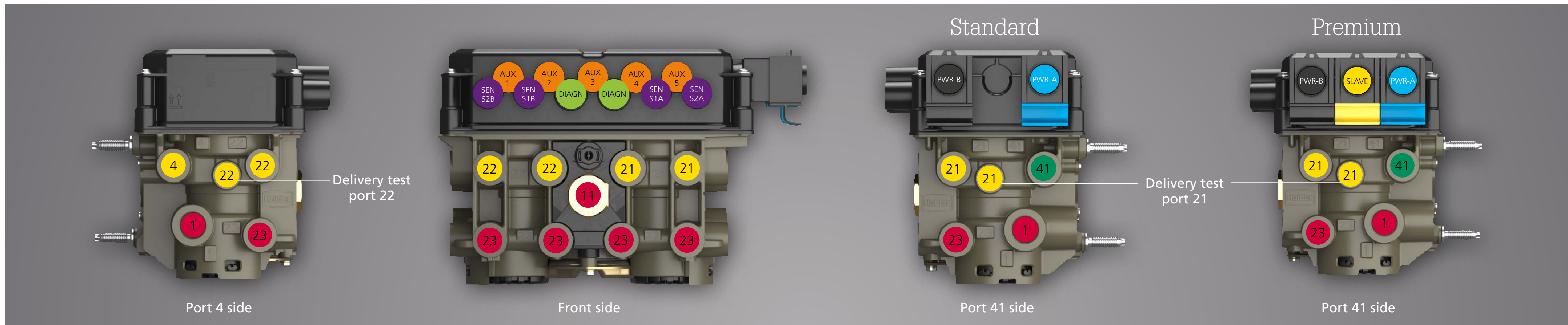
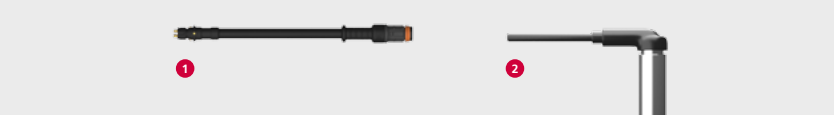
Display devices

Description	Part no.	Information
EB+ Info Centre (DIAGN)	815 041 001	EB+ Info Centre
	815 046 001	EB+ Info Centre ADR
	950 800 911	Replacement battery kit
Info Point (AUX 1)	815 021 001	Info Point with 7 m cable
	815 021 011	Info Point with 18 m cable
Lining wear system (AUX 4)	815 015 001	L = 2 m AUX cable - standard
	027 5260 09	Blanking plug (std version)
	814 007 111	Sensor extension cable (5 m)



Sensor cables

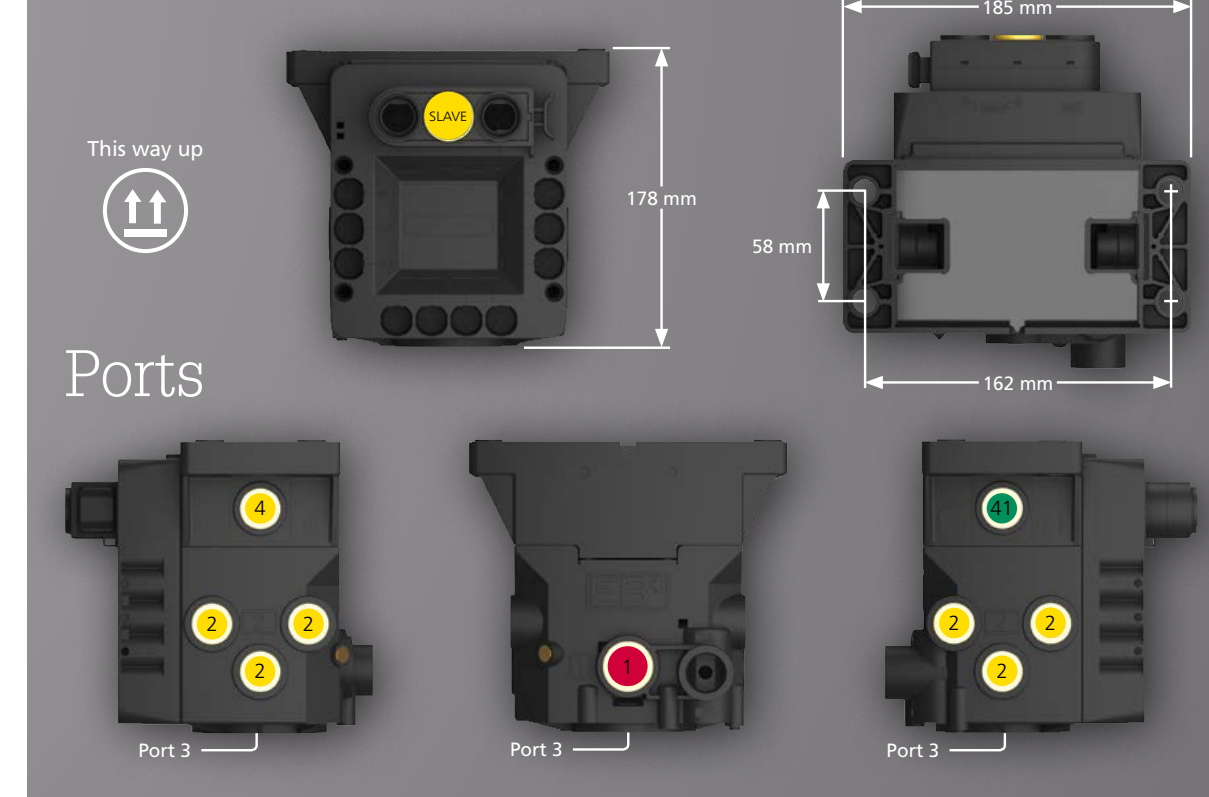
Description	Part no.	Information
Extension cables	814 004 401	3 m length
	814 004 411	6 m length
	814 004 421	2 m length
	814 004 431	10 m length
	814 004 441	14 m length
	814 004 451	8 m length
	814 004 461	12 m length
	814 004 471	4 m length
Sensor kit	950 364 503	angled (inc. retaining clip)
	950 364 506	straight (inc. retaining clip)



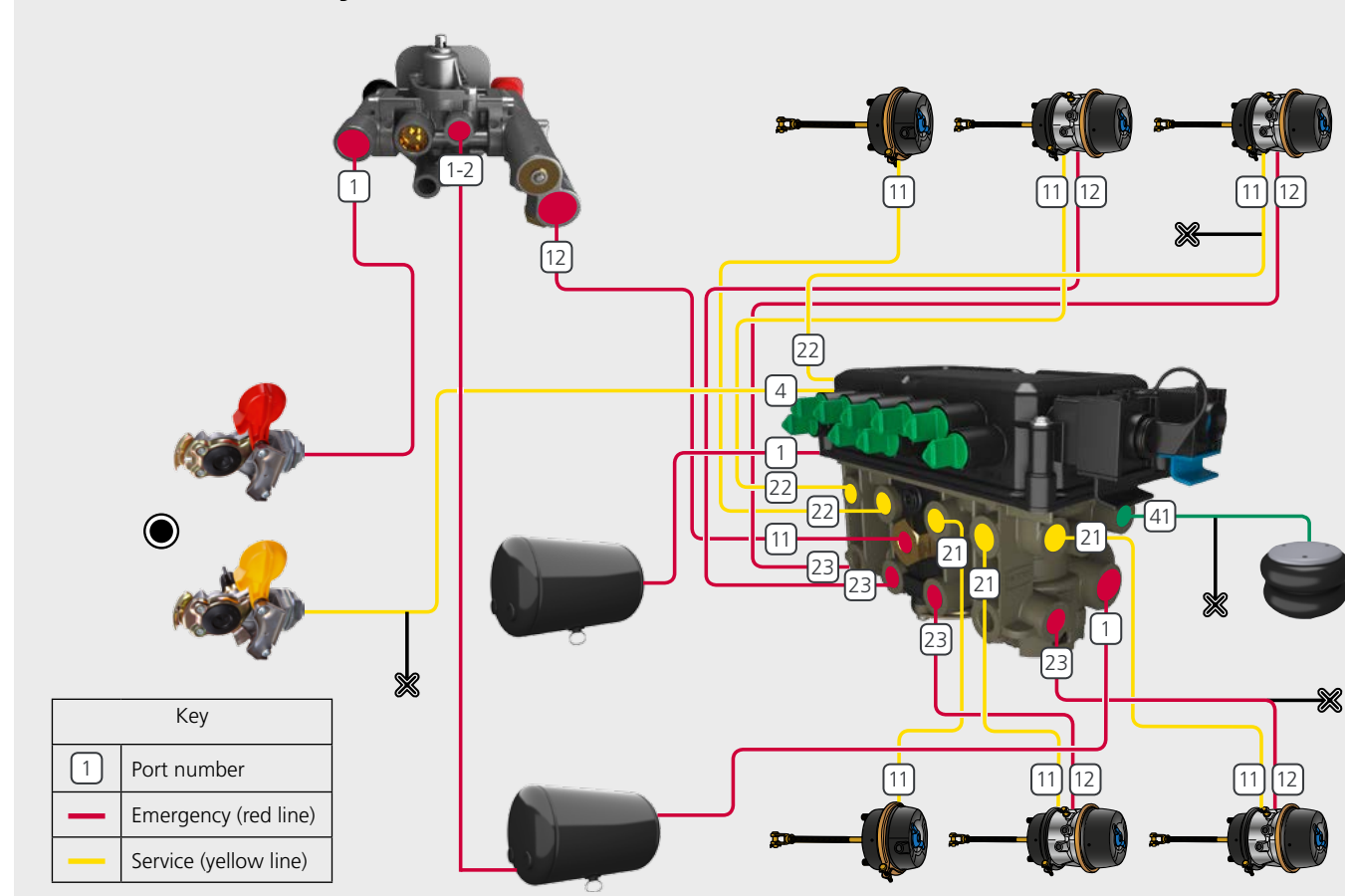
EB+ Gen3 part numbers and port fittings

Part number	Port 4 side / 22										Front side										Port 41 side / 21			
	4	1	Test	22	23	22	22	21	21	11	23	23	23	23	21	23	Test	41	1					
Standard 823 008 001	M16	M22	M12	M16	M16	M16	M16	M16	M16	M16	M16	M16	M16	M16	M16	M12	M16	M22						
Standard 823 008 101	8x1	15x1.5	Plug	12x1.5	8x1	12x1.5	12x1.5	12x1.5	12x1.5	8x1	8x1	Plug	Plug	8x1	12x1.5	8x1	8x1	15x1.5						
Standard 823 008 111	8x1	15x1.5	8x1	12x1.5	Plug	12x1.5	12x1.5	12x1.5	10x1	8x1	8x1	8x1	8x1	12x1.5	Plug	Plug	8x1	15x1.5						
Standard 823 008 213	8x1	16x2	Plug	12x1.5	8x1	12x1.5	12x1.5	12x1.5	8x1	Plug	8x1	8x1	Plug	12x1.5	8x1	Plug	8x1	16x2						
Standard 823 008 291	8x1	15x1.5	Plug	12x1.5	8x1	12x1.5	12x1.5	12x1.5	8x1	8x1	8x1	8x1	8x1	12x1.5	8x1	Plug	8x1	15x1.5						
Premium 823 034 001	M16	M22	M12	M16	M16	M16	M16	M16	M16	M16	M16	M16	M16	M16	M12	M16	M22							
Premium 823 034 101	8x1	15x1.5	Plug	12x1.5	8x1	12x1.5	12x1.5	12x1.5	8x1	8x1	Plug	Plug	8x1	12x1.5	8x1	8x1	15x1.5							
Premium 823 034 111	8x1	15x1.5	8x1	12x1.5	8x1	12x1.5	12x1.5	12x1.5	10x1	8x1	8x1	8x1	8x1	12x1.5	Plug	Plug	8x1	15x1.5						
Premium 823 034 213	8x1	16x2	Plug	12x1.5	8x1	12x1.5	12x1.5	12x1.5	8x1	Plug	8x1	8x1	Plug	12x1.5	8x1	Plug	8x1	16x2						
Premium 823 034 291	8x1	15x1.5	Plug	12x1.5	8x1	12x1.5	12x1.5	12x1.5	8x1	8x1	8x1	8x1	8x1	12x1.5	8x1	Plug	8x1	15x1.5						
Standard AM 950 823 008	M16	M22	M12	M16	M16	M16	M16	M16	M16	M16	M16	M16	M16	M16	M12	M16	M22							
Premium AM 950 823 034	M16	M22	M12	M16	M16	M16	M16	M16	M16	M16	M16	M16	M16	M16	M12	M16	M22							

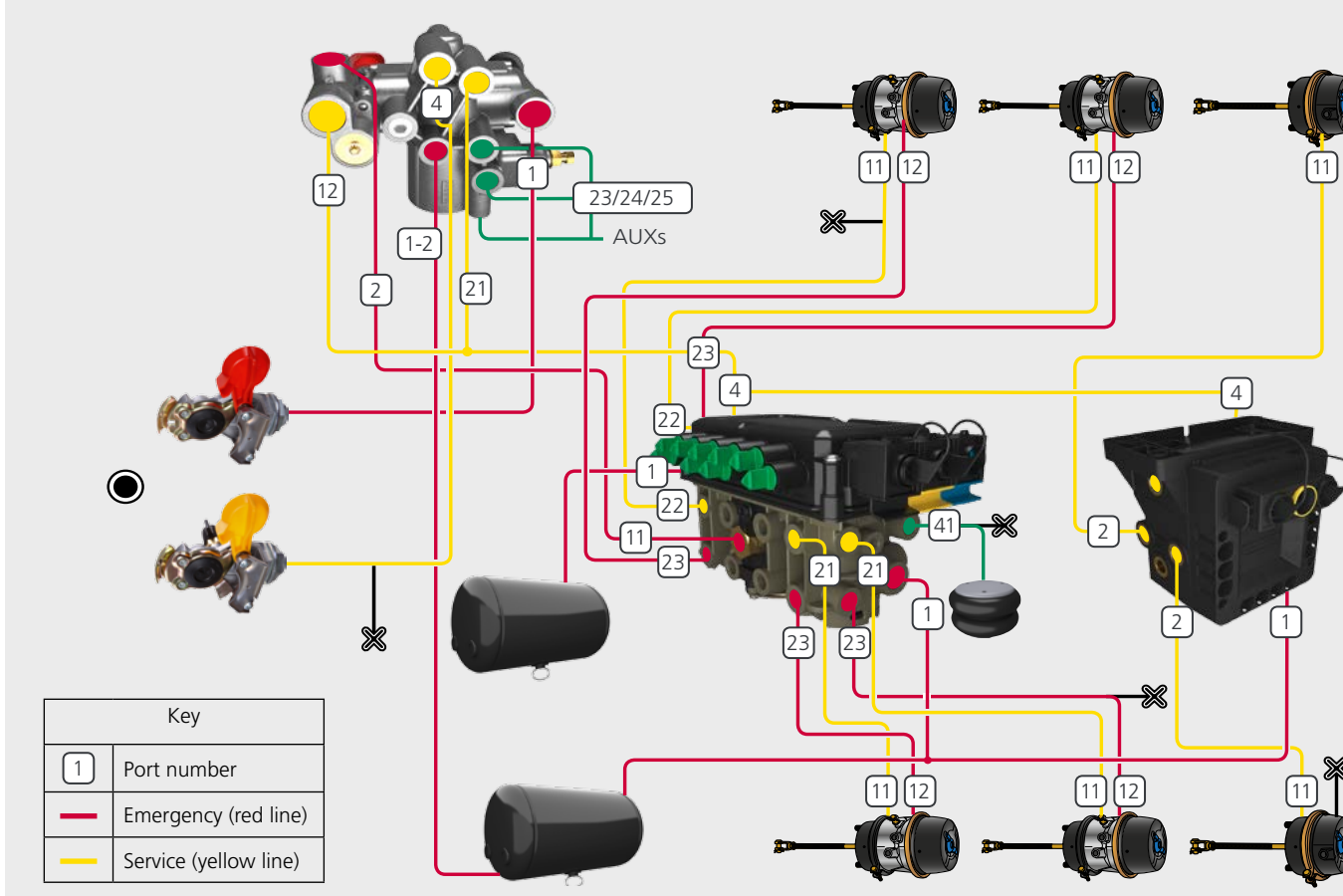
EB+ Gen3 Slave mounting



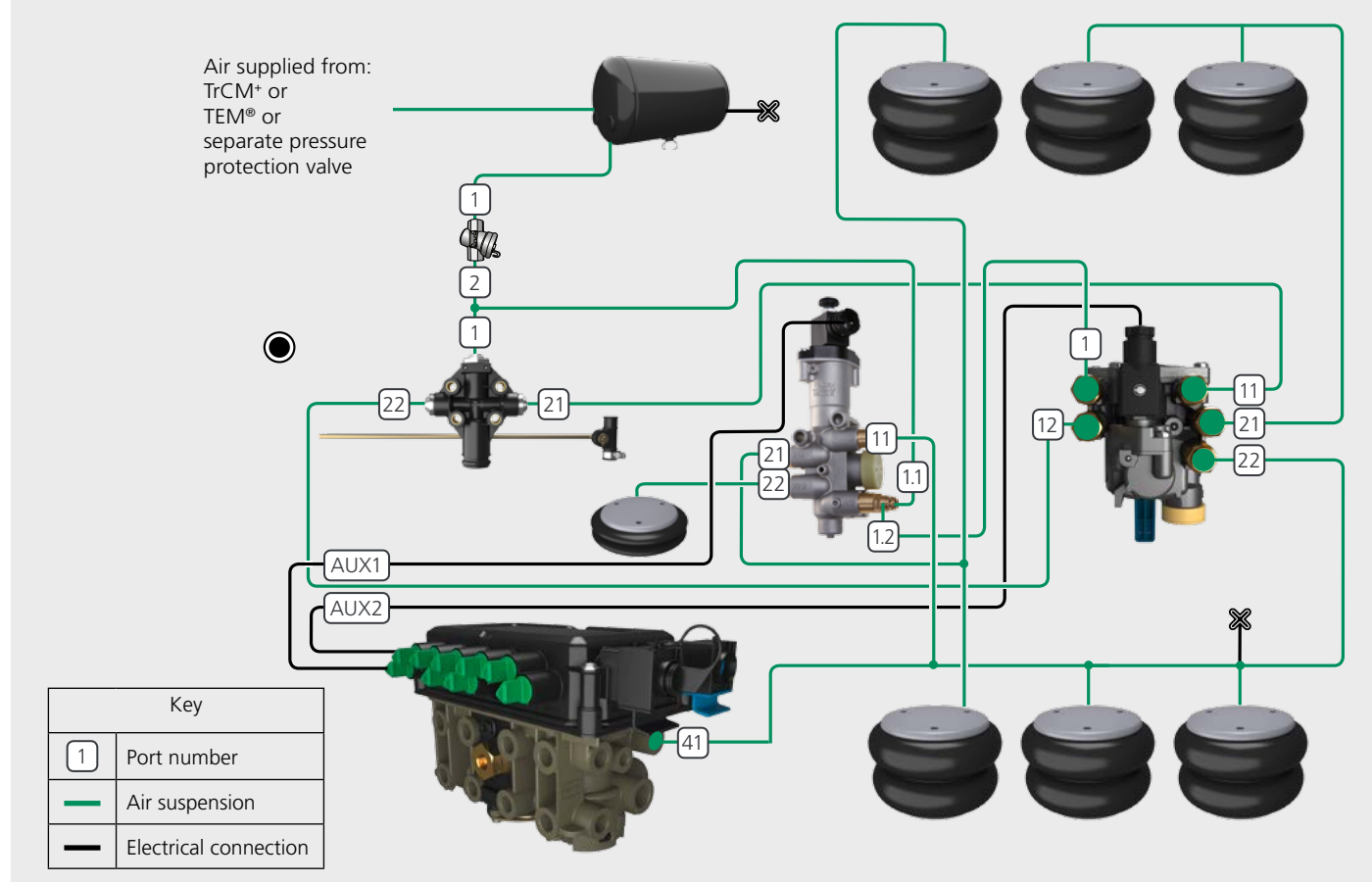
2M, side by side, with TEM®



3M, with TrCM+

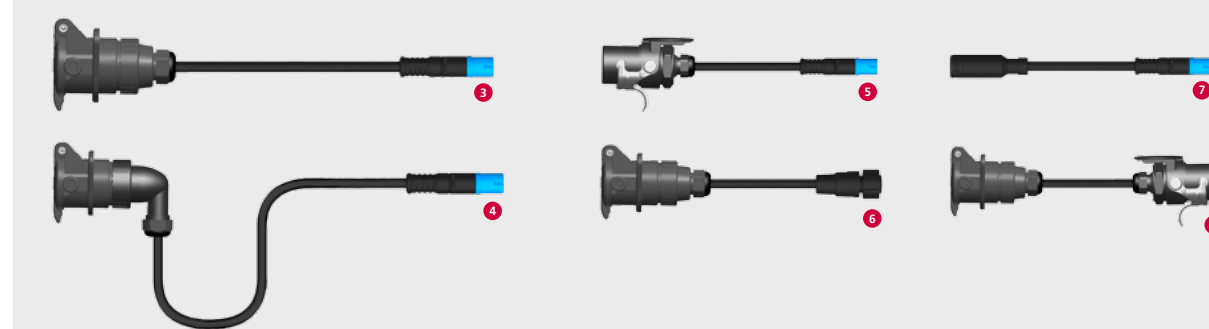


2M, COLAS® and ILAS®-E+



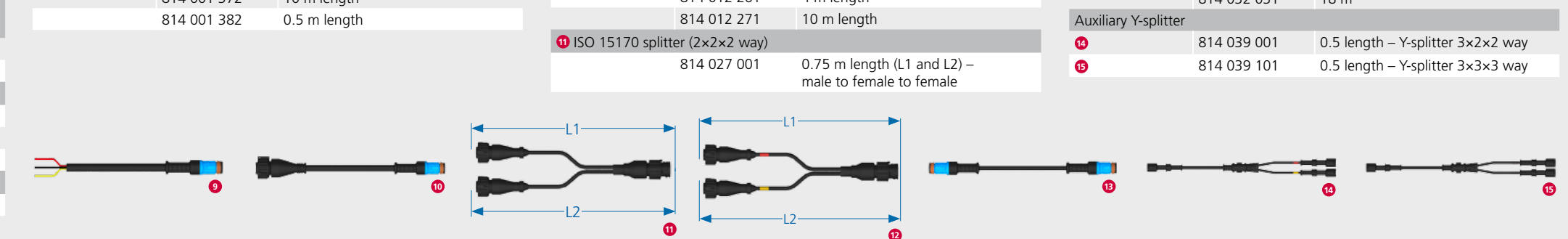
ISO 7638 cables PWR-A

Description	24 V straight	24 V angled	12 V straight	12 V angled	Information
Cable and socket (unfused)	814 003 102	814 003 301	814 003 401	814 003 501	12 m length
	814 003 112	814 003 311	814 003 411	814 003 511	16 m length
	814 003 122	814 003 321	814 003 421	814 003 521	9 m length
	814 003 132	814 003 331	814 003 431	814 003 531	9 m length
	814 003 142	814 003 341	814 003 441	814 003 541	14 m length
	814 003 152	814 003 351	814 003 451	814 003 551	6 m length



Auxiliary cables

Description	Part no.	Information
Auxiliary cable	814 001 302	7 m length
	814 001 312	18 m length
	814 001 322	2 m length
	814 001 332	4 m length
	814 001 342	1 m length
	814 001 352	12 m length
	814 001 372	10 m length
	814 001 382	0.5 m length
Auxiliary cable to DIN connector (COLAS and ILAS)	814 012 201	7 m length
	814 012 211	18 m length
	814 012 221	1 m length
	814 012 231	2 m length
	814 012 241	5 m length
	814 012 251	3 m length
	814 012 261	4 m length
	814 012 271	10 m length
ISO 15170 splitter (2x2x2 way)	814 027 001	0.75 m length (L1 and L2) - male to female to female



System 3M

Description	Part no.	Information
EB+ Gen3 1M Slave	810 023 001	supplied as one complete unit that can not be separated (ECU + valve)
Slave 3M link cable	814 041 001	12 m length
	814 041 011	2 m length
	814 041 021	5 m length
	814 041 031	14 m length
	814 041 041	10 m length
	814 041 051	8 m length
EB+ Gen3 3M kit	950 823 031	incl. 950 823 034 - 810 023 001 - 814 041 031

Diagnostic tools

Description	Part no.	Information
Diagnostics cable kit	950 800 912	EB+ Gen3 diagnostic cable kit
Kit contents	814 036 001	ECU / pc interface cable (6.5 m)
	815 018 001	EB+ ISO diagnostic cable
	814 011 001	EB+ SOV / pc interface cable (6.5 m)
	042 623 719	transit case
ISO 7638 diagnostic	815 018 001	0.5 m length

Interface kits

Description	Part no.	Information
DIAG+	950 800 909	interface kit
Kit contents	815 023 001	USB pc interface (DIAG+)
	042 707 309	USB cable
Fleet+	950 800 910	interface kit
Kit contents	815 023 011	USB pc interface (Fleet+)
	042 707 309	USB cable

Diagnostic cables

Description	Part no.	Information
EB+ Info Centre to side of vehicle	814 025 001	1 m length
Side of vehicle (SOV) to ECU	814 030 001	6.5 m length
	814 030 011	2.5 m length
	814 030 021	5 m length
	814 030 031	15 m length
Vehicle to pc interface (dongle)	814 011 001	6.5 m length
	814 011 011	15 m length
DIAGN to DIN (telematic box)	814 033 001	1 m length
	814 033 011	12 m length
DIAGN to pc interface (dongle)	814 036 001	6.5 m length
	814 036 011	15 m length
	814 036 021	20 m length
DIAGN to DIAGN / EB+ Info Centre	814 037 001	6.5 m length
	814 037 011	0.5 m length
	814 037 021	8 m length
	814 037 031	14 m length
	814 037 041	2.5 m length
Y-splitter 4x4x4 way	814 038 001	0.5 m length
DIAGN to female FCI connector (TPMS)	814 040 001	1.2 m length (rear RCU unterminated)
	814 040 101	1.2 m length (front RCU unterminated)
	814 040 201	1.2 m length (front RCU terminated)
	814 040 211	0.6 m length (front RCU terminated)
	814 040 221	10 m length (front RCU terminated)

Cables PWR-B

Description	Part no.	Information
Super AUX cable	814 002 301	6 m length
	814 002 311	12 m length
	814 002 321	9 m length
	814 002 331	4 m length
	814 002 341	1 m length
Power B to ISO 15170 Super AUX	814 004 301	4 pin - 1 m length
	814 004 311	4 pin - 6 m length
Y-cable power B to ISO 15170 Super AUX	814 029 001	4 pin - 1 m length (L1 and L2)
	814 029 011	4 pin - 6 m length (L1) - 5 m length (L2)
	814 029 021	4 pin - 6 m length (L1) - 1 m length (L2)
	814 029 101	4 pin - 6 m length (L1) - 2 m length (L2)

